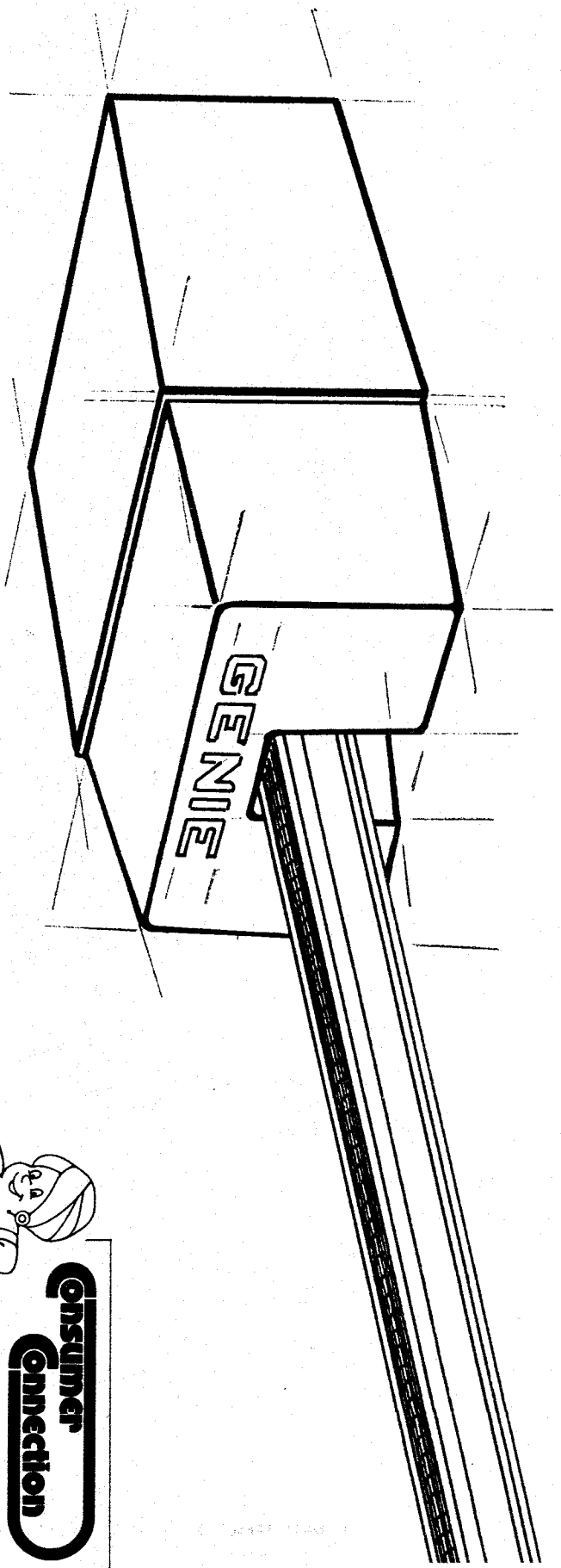


200R
CODE 6535

GENIE®

SCR 19L No
52891D



Automatic Garage Door Operator Systems

SD8000

SD9000

SD9500

U.L. LISTED

FCC APPROVED

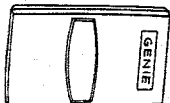
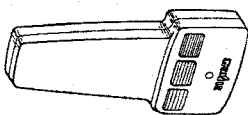
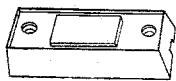
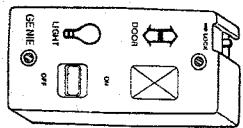
OWNER'S MANUAL

Keep This Manual For Future
Maintenance • Adjustment • Repair



Consumer Connection
Installation or
Service Question?
Call Toll Free —
1-800-OK GENIE
(1-800-654-3643)

System Highlights



SD9500

SD9000/8000

CONVENIENCE FEATURES

A touch of a button controls your Genie Garage Door Operator.

Press the remote control or wall control button. Door will open or close.

Press the button while the door is moving. It stops.

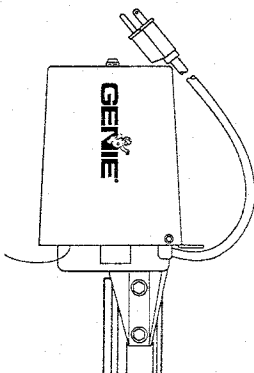
Press the button again. The door moves the other way.

Door automatically stops at end of open or close cycle.

Lights come on when operator starts. They turn off automatically 5 minutes after cycle is complete.

SPECIAL FEATURES OF MODEL SD9500

- Operator lights can be used as garage lights.
- Vacation lock prevents operation.
- Remote Control operates three Genie products.



POWERFUL SCREW DRIVE SYSTEM

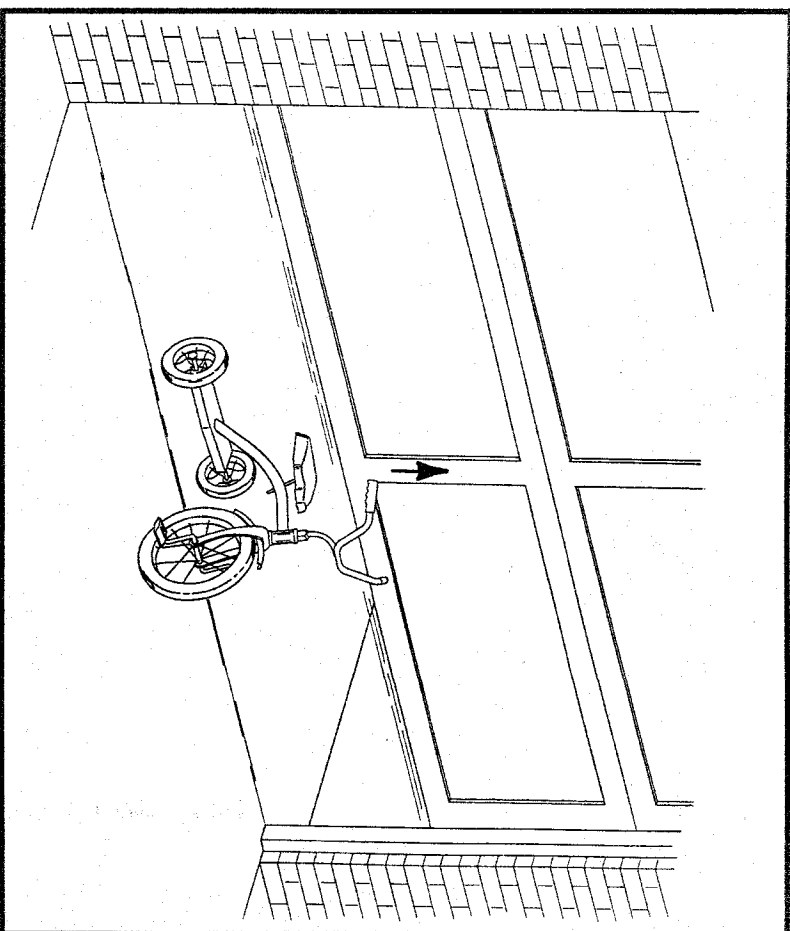
Low speed screw drive never needs adjustment for stretch or wear.

Genie designed and built the motors used in SD-series operators. Motors for SD9000 and SD9500 models are 1/2 horsepower. SD8000 has a 1/3 horsepower motor.

Rugged solid-state controls deliver long life and dependability.

Adjusts easily to open doors to 7' 6" (maximum) height:

- Single or double sectional doors
- One piece track doors
- One-piece jamb or pivot doors



SAFETY FEATURES

Door stops if it meets an obstacle when opening.

Door stops if it meets an obstacle when closing and automatically reverses to open.

For best sensitivity your safety reverse must be adjusted. (See page 29.)

Door reverses if close cycle takes more than 21 seconds. Door stops in open position.

If power fails, pull emergency knob. Door will operate manually.

FOR ADDITIONAL SAFETY, AN OPTIONAL INFRARED SAFETY REVERSE IS AVAILABLE. This puts an invisible beam across the door opening. If anything breaks the beam when the door is closing the door stops and reverses to full open position.

WE HIGHLY RECOMMEND THIS FEATURE.

**AVOID PERSONAL INJURY AND EQUIPMENT DAMAGE
READ THESE INSTRUCTIONS BEFORE INSTALLING OPERATOR**

WARNING

DOOR SPRINGS ARE POWERFUL.

They balance the weight of the door. Sudden release of spring tension can result in deadly force.

NEVER TRY TO WORK ON SPRINGS. CALL A PROFESSIONAL FOR SERVICE.

WARNING

HANDLES AND OTHER DOOR PROJECTIONS CAN CATCH CLOTHING.

- Remove all handles.
- Remove all ropes.
- Remove all hooks and hangers.
- Remove all decorative or security items mounted on door.
- Do not mount anything on garage door.

Keep people and pets away from door when it is moving.

WARNING

GARAGE DOORS ARE HEAVY.

- Stay out from under raised doors.
- Do not allow children to play under raised doors.
- Do not stand under moving doors.
- Do not try to run under moving doors.
- Do not try to operate a door with a broken spring.
- Do not try to operate a door with worn or damaged hardware.

KEEP YOUR DOOR IN GOOD REPAIR. CALL A PROFESSIONAL FOR SERVICE.

WARNING

IMPROPER OPERATION CAN INJURE PEOPLE OR PETS.

FOR MAXIMUM SAFETY:

- Mount wall control:
 - Out of reach of children.
 - Where individual cannot stand under or near moving door.
- Show everyone who will use operator how to do it safely.
- Operate door only when it's fully visible.
- Do not operate door when anyone is in area.
- Do not allow anyone to run under moving door.
- Do not allow children or pets to play under door.
- Do not let children play with controls.

CHECK SAFETY REVERSE FUNCTION MONTHLY (SEE PAGE 29.)

WARNING

ELECTRICAL SHOCK HAZARD. HIGH VOLTAGE APPLIED TO OPERATOR.

- Improper wiring can result in severe electrical shock or death.
- Attach power cord only to a properly grounded outlet.
 - Do not remove grounding prong from power cord.
 - Do not use an extension cord to supply permanent power to operator.

Have a professional electrician install an approved outlet.

Check your local building codes.

Some codes require direct wiring to a branch circuit. Have a professional electrician install circuit and wire operator. (See instructions on page 28.)

CAUTION

DOOR BRACING

Some doors require bracing before mounting an operator. This includes doors made of:

- fiberglass
- masonite
- metal
- light weight wood.

Contact door manufacturer or distributor for instructions.

CAUTION

AVOID DAMAGE TO YOUR OPERATOR AND DOOR.

Door locks can prevent proper operation.
Remove or disable all locks and locking hardware before installing operator.

Remove all hardware that projects from the door.

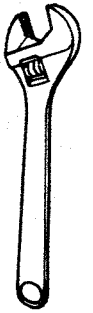
INSTALL OPERATOR ONLY ON PROPERLY WORKING DOOR.

BEFORE INSTALLATION:

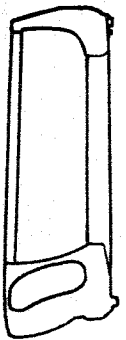
1. Inspect door. Look for wear at pivot joints and bearings. Have a professional repair or replace any items that are:
 - Missing
 - Rusted, worn or damaged
2. Be sure door is in good repair, properly lubricated and balanced.

NEVER TRY TO WORK ON SPRINGS. CALL A PROFESSIONAL FOR SERVICE.

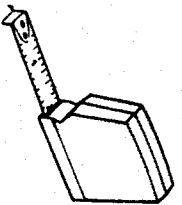
TOOLS REQUIRED TO INSTALL YOUR GENIE OPERATOR



Adjustable Wrench



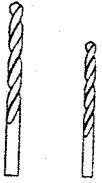
Hacksaw



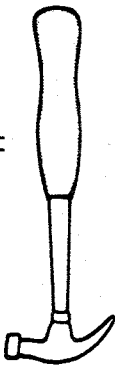
Tape Measure



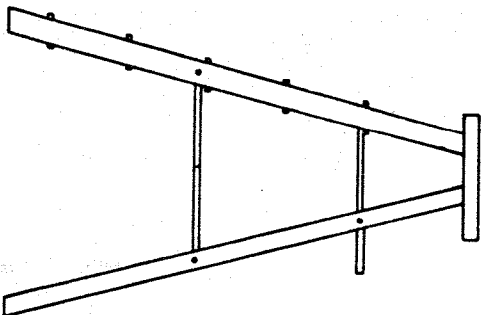
Drill and Drill Bits



Straight Edge



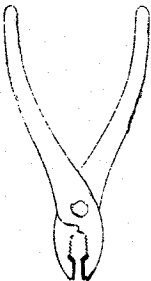
Hammer



Stepladder

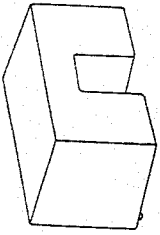


Screwdriver

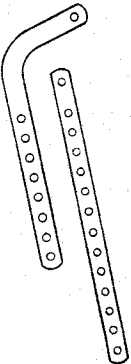


Pliers

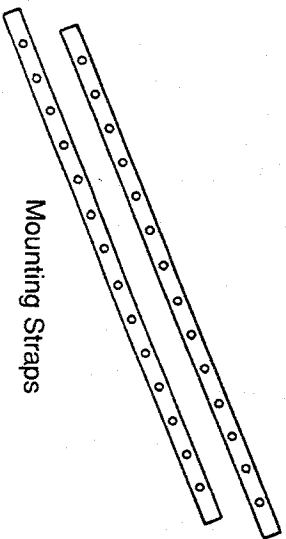
PARTS IDENTIFICATION



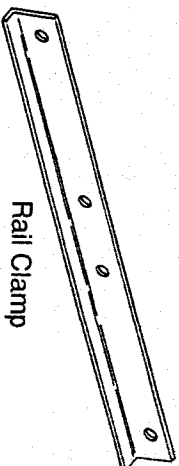
Lens



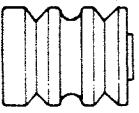
Door Arms



Mounting Straps



Rail Clamp



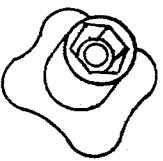
Red Release Knob



Collar



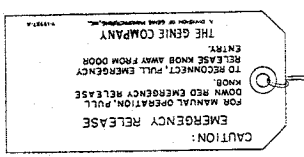
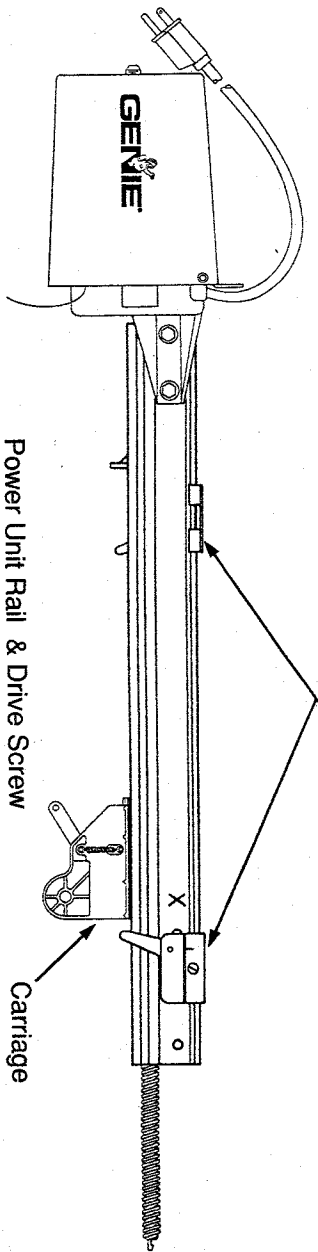
Spring Clip



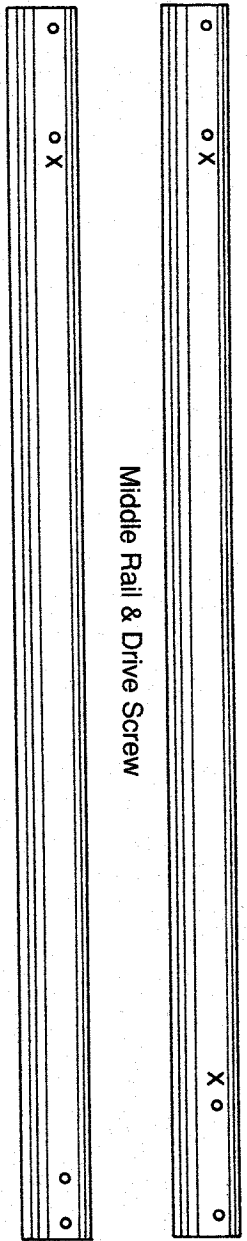
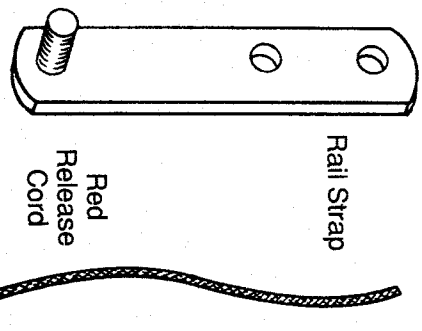
Safety Reverse Adjusting Tool

MANUAL DISCONNECT
 - Pull red lever down and towards looks
 of operation.
 - Do not let child play with the opener or
 remote control. Keep opener and remote
 out of reach of children.
 - See instructions for more information.
 - See instructions for more information.
 - See instructions for more information.
 - See instructions for more information.

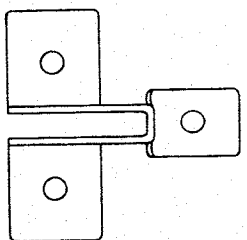
Wall Control
 CAUTION Label



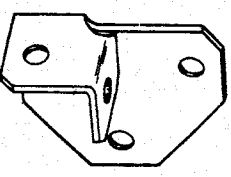
Emergency Release Tag



End Rail & Drive Screw



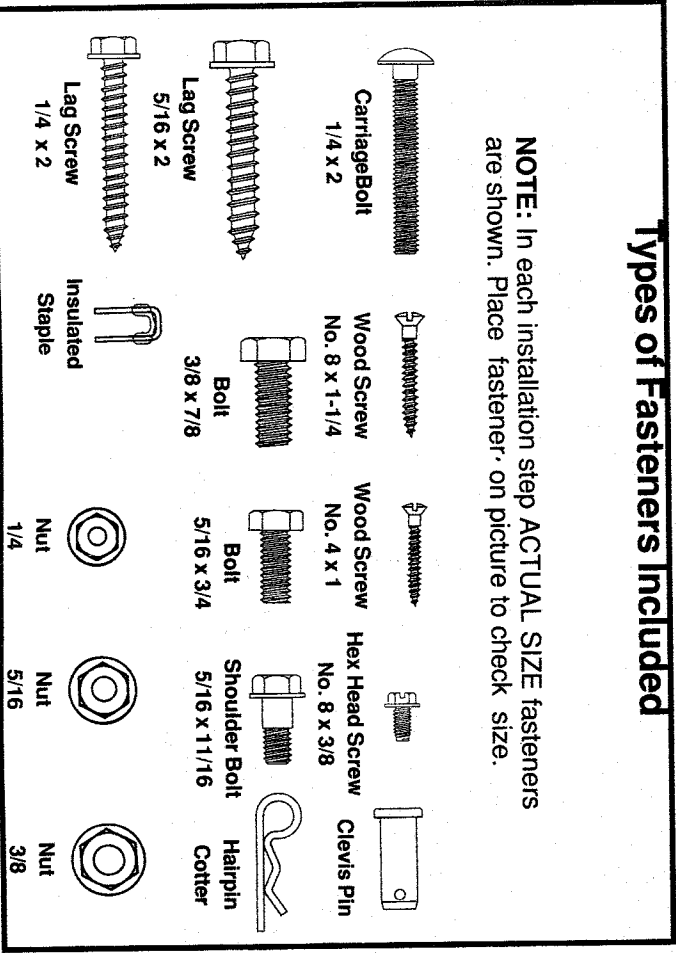
Door Bracket



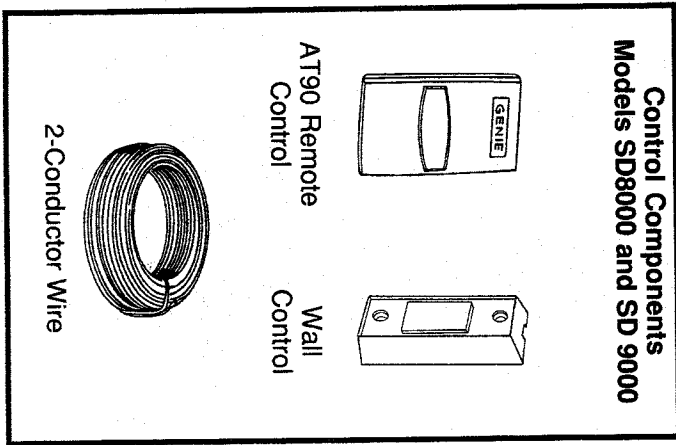
Header Bracket

Types of Fasteners Included

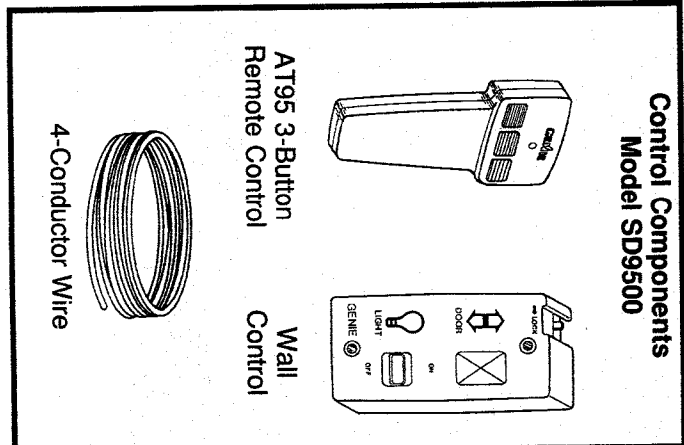
NOTE: In each installation step ACTUAL SIZE fasteners are shown. Place fastener on picture to check size.



Control Components Models SD8000 and SD 9000



Control Components Model SD9500



SECTION I — RAIL & DRIVE SCREW ASSEMBLY

CAUTION
PREVENT DAMAGE TO DRIVE SCREWS.
 Drive screw sections can slide out of rails.
 Keep rails level until operator is fully assembled.

1 PLACE POWER UNIT AND RAILS ON CLEAN, FLAT SURFACE. (Fig. 1)

Use foam packing blocks to support rails.

Arrange "X" marks as shown.

- "X" on rails face same way.
- Middle rail has "X" at both ends.
- End rail has only one "X"

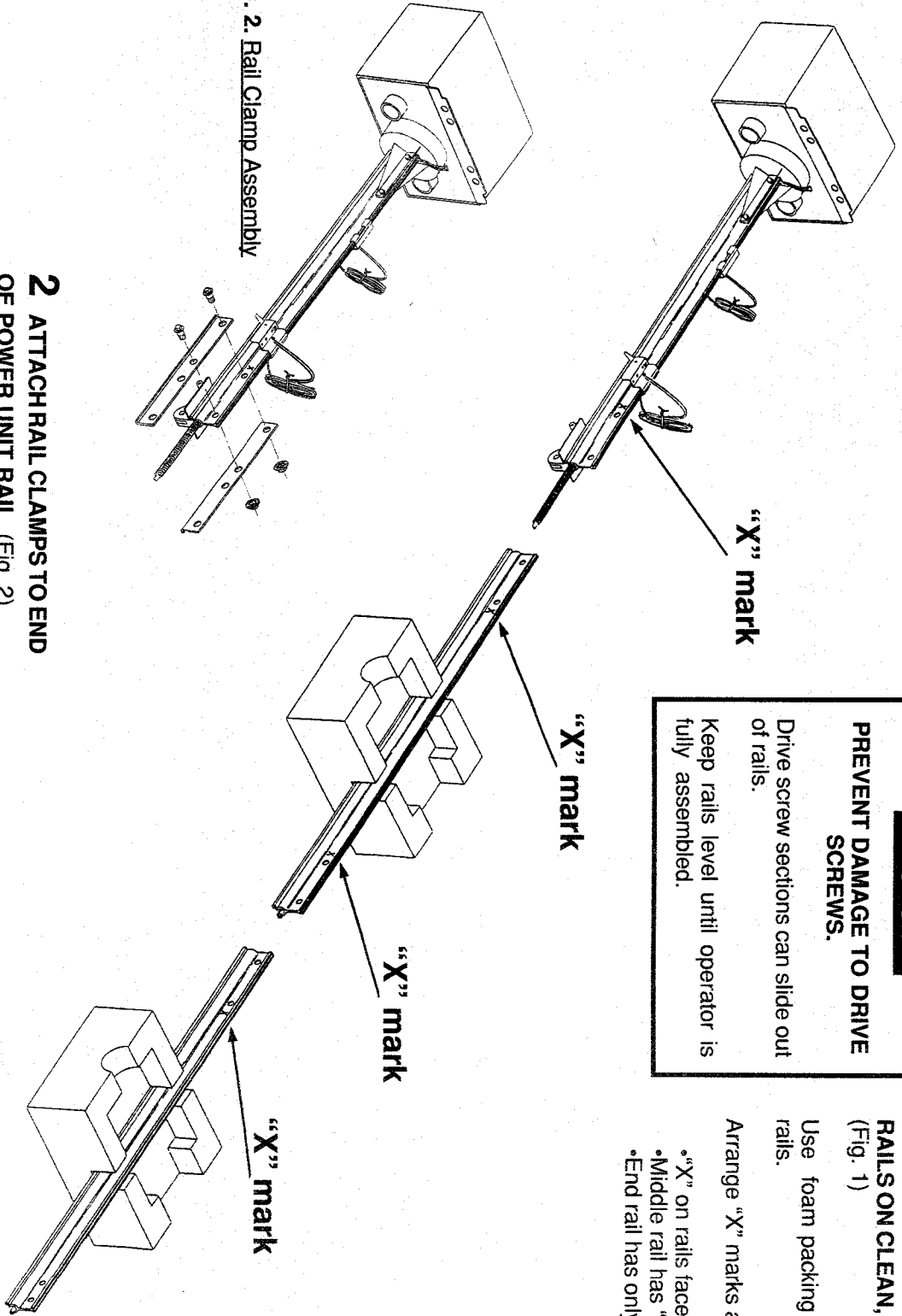


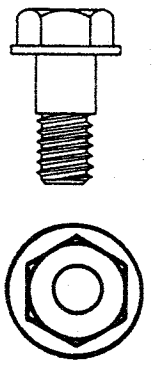
Fig. 2. Rail Clamp Assembly

Fig. 1. Rail Alignment

2 ATTACH RAIL CLAMPS TO END OF POWER UNIT RAIL. (Fig. 2)

- "L" legs on rail clamps are down. They must face out.
- Use shoulder bolts and nuts.
- Finger tighten only.

Actual Size Fasteners

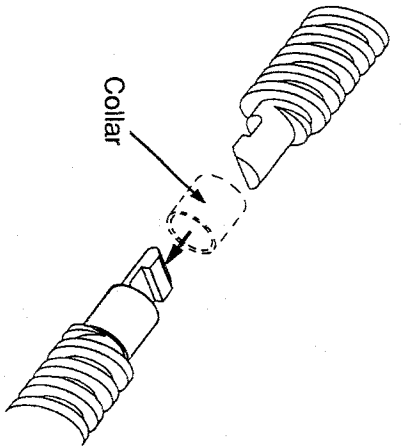


Shoulder Bolt
 5/16 x 1 1/16

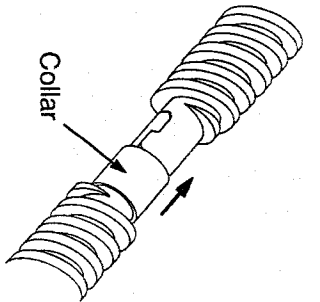
Nut
 5/16

3 PUSH DRIVE SCREW FROM MIDDLE RAIL TOWARD POWER UNIT RAIL. (Fig. 3)

•Push out approximately 2"

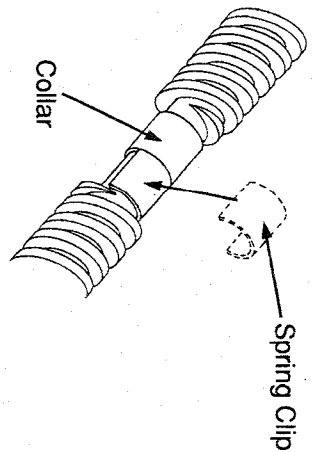


4 SLIDE COLLAR OVER END OF MIDDLE RAIL DRIVE SCREW.



5 ENGAGE DRIVESCREW HOOKS.

- Turn middle drive screw as required.
- Join hook sections.
- Slide collar over joint.

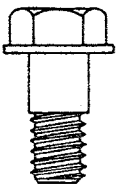


6 SNAP SPRING CLIP ON MIDDLE RAIL DRIVE SCREW AS SHOWN.

7 SLIDE MIDDLE RAIL BETWEEN RAIL CLAMPS.

- Insert shoulder bolts and nuts.
- Tighten all four nuts securely.

Actual Size Fasteners



Shoulder Bolt
5/16 x 11/16



Nut
5/16

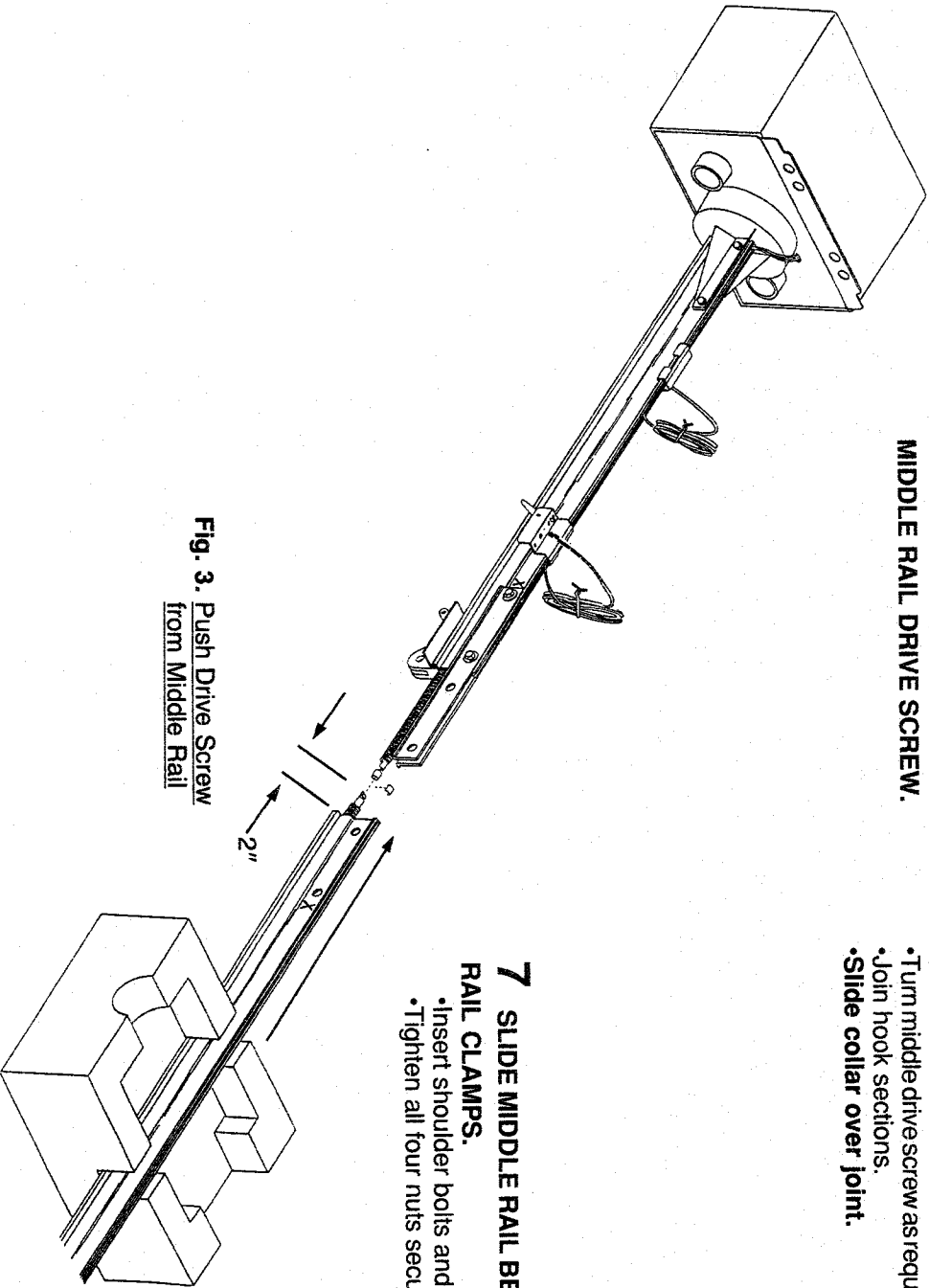


Fig. 3. Push Drive Screw from Middle Rail

CONNECTING END RAIL AND SCREW SECTIONS

8 ATTACH RAIL CLAMPS TO OTHER END OF MIDDLE RAIL.

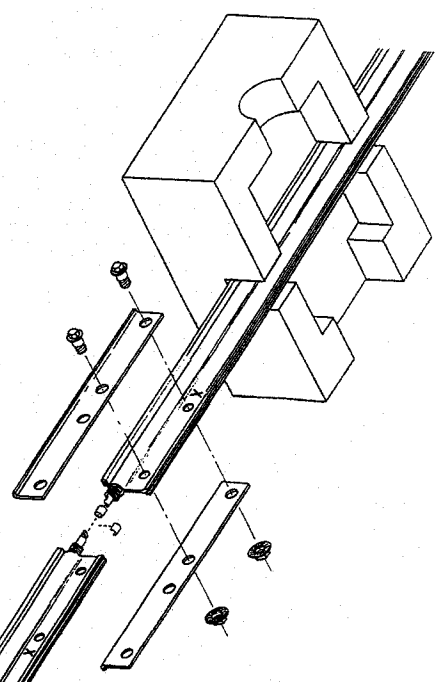
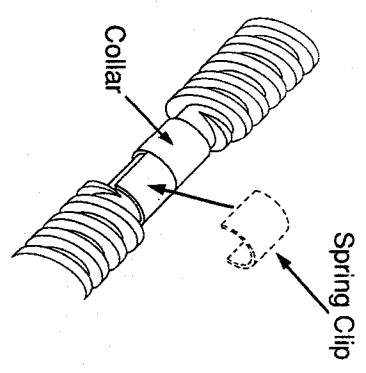
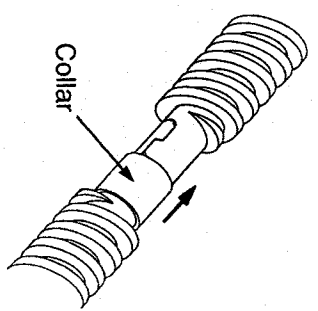
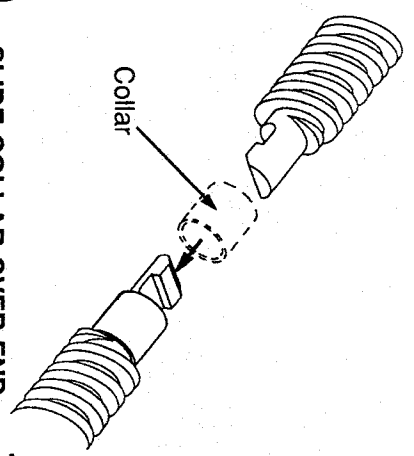
- (Fig. 4)
- "L" legs on rail clamps are down.
 - They must face out.
 - Use shoulder bolts and nuts.
 - Finger tighten only.

9 PUSH DRIVE SCREW FROM END RAIL TOWARD MIDDLE RAIL.

10 SLIDE COLLAR OVER END OF END RAIL DRIVE SCREW.

11 ENGAGE DRIVE SCREW HOOKS.

12 SNAP SPRING CLIP ON END RAIL DRIVE SCREW AS SHOWN.



13 SLIDE END RAIL SECTION BETWEEN CLAMPS.

- Insert shoulder bolts and nuts.
- Tighten all four nuts securely.

14 ATTACH RAIL STRAP TO RAIL.

- Insert bolts and nuts.
- Tighten nuts securely.

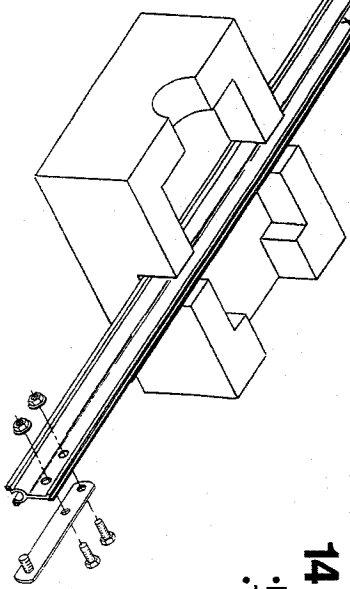
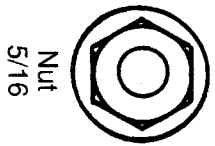
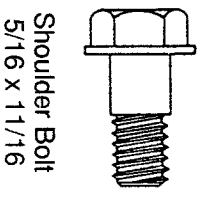
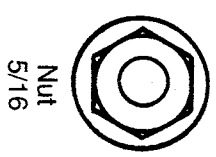
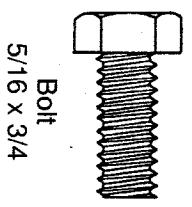


Fig. 4. End Rail Attachment



Actual Size Fasteners



Actual Size Fasteners

15 ATTACH EMERGENCY RELEASE KNOB AND CORD.

(Fig. 5)

- Tie knot in end of cord.
- Thread cord through knob so knot is inside.
- Thread cord through hole in lever.
- Tie knot in other end of cord.

16 ATTACH EMERGENCY RELEASE TAG.

- Thread wire through hole in lever.
- Wrap wire around itself.

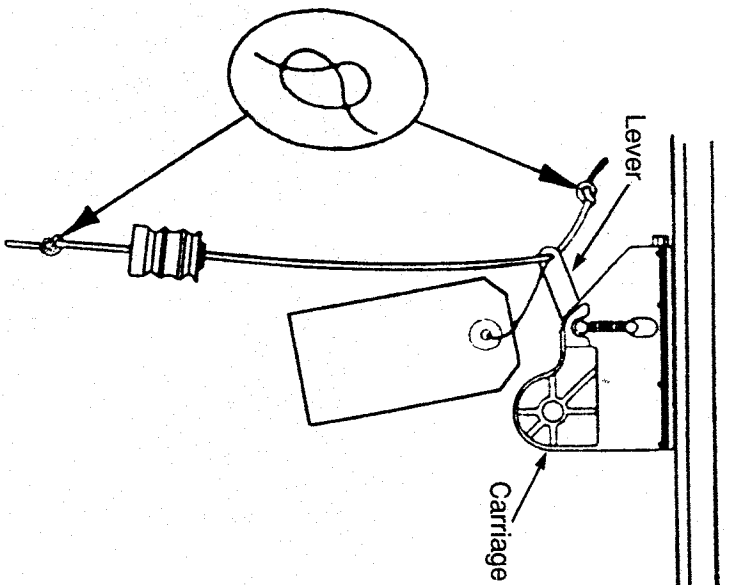
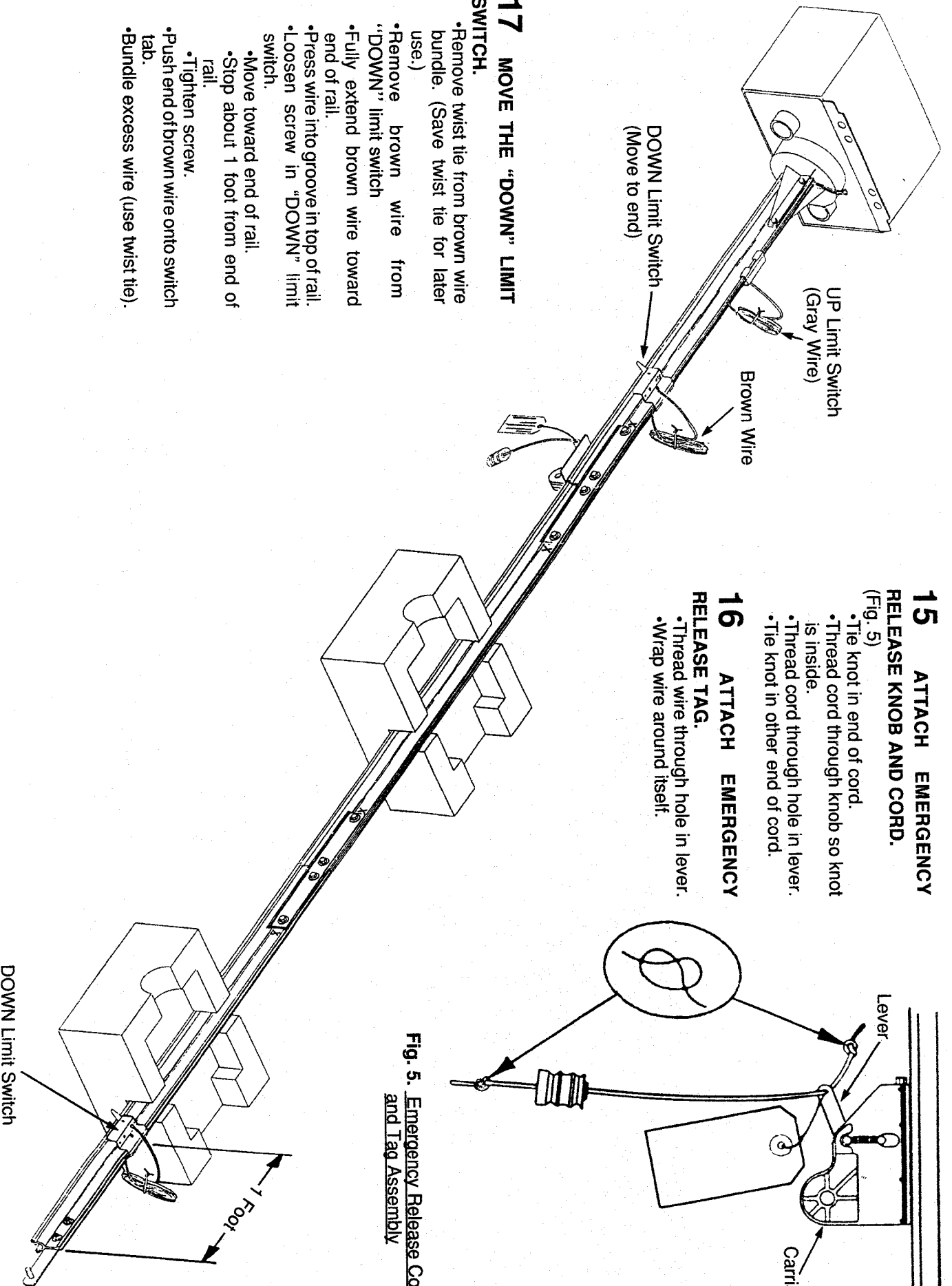


Fig. 5. Emergency Release Cord and Tag Assembly

17 MOVE THE "DOWN" LIMIT SWITCH.

- Remove twist tie from brown wire bundle. (Save twist tie for later use.)
- Remove brown wire from "DOWN" limit switch
- Fully extend brown wire toward end of rail.
- Press wire into groove in top of rail.
- Loosen screw in "DOWN" limit switch.
- Move toward end of rail.
- Stop about 1 foot from end of rail.
- Tighten screw.
- Push end of brown wire onto switch tab.
- Bundle excess wire (use twist tie).

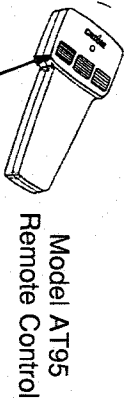


TESTING YOUR OPERATOR

20 CONNECT OPERATOR TO TEMPORARY POWER SOURCE.

- If extension cord is used, be sure it is:
 - Heavy duty.
 - Grounded.

← To Temporary Power Source



Press left button

21 TEST OPERATOR WITH REMOTE CONTROL. (Use left button for Model AT95 remote control.)

- At first push of button, carriage will:
 - Move to "UP" limit switch.
- Press remote control button again. Carriage will:
 - Move to "DOWN" limit switch.
- Press remote control button again. Carriage will:
 - Move to "UP" limit switch. This positions carriage for installation.

IF THIS DOES NOT HAPPEN, CALL 1-800-OK-GENIE BEFORE PROCEEDING.

22 UNPLUG OPERATOR.

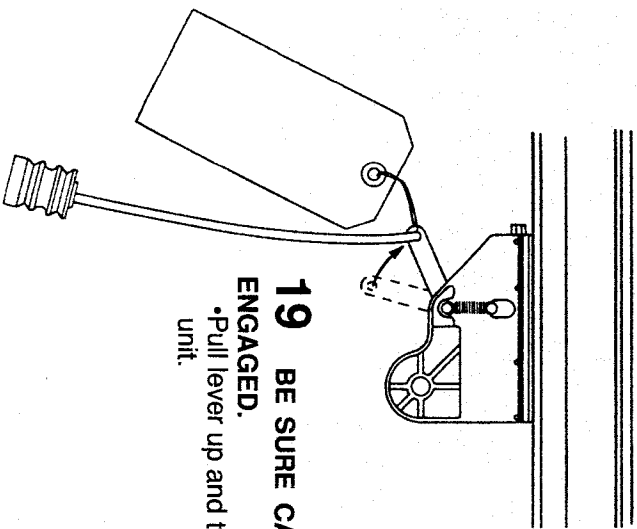
18 SUPPORT POWER UNIT AND RAIL. (Fig. 6)

- Use foam packing blocks.
- Turn blocks as shown.

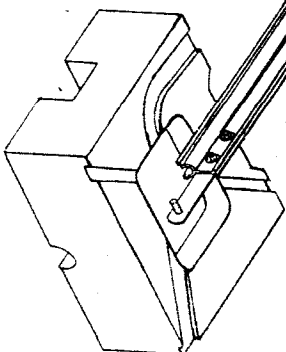
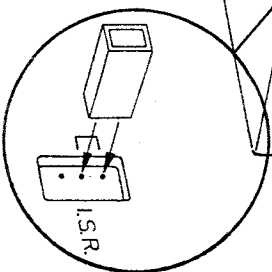
Fig. 6

19 BE SURE CARRIAGE IS ENGAGED.

- Pull lever up and toward power unit.



NOTE: Jumper plug under label. Do not remove this plug unless infra-red safety reverse option is installed.



**WE HIGHLY RECOMMEND INSTALLING THE OPTIONAL
INFRA-RED SAFETY REVERSE**

This puts an invisible beam across the door opening. If anything breaks the beam when the door is closing the door stops and reverses to full open position.

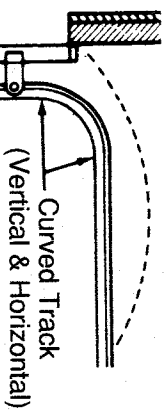
WHAT TYPE OF DOOR DO YOU HAVE?

Look at the drawings below. They tell you where to find the installation instructions you need.

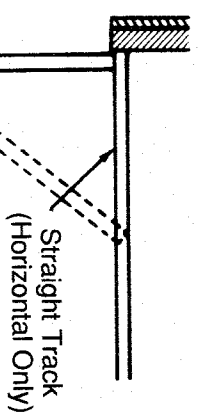
Track Operated Door

SEE SECTION II.

Sectional Door
With Curved Track Hardware



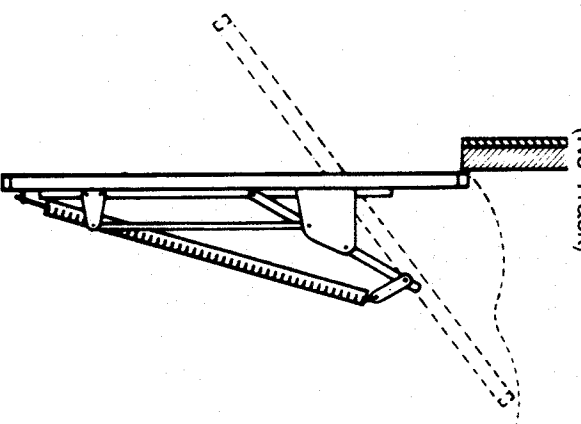
1-Piece Door
With Horizontal Track Hardware



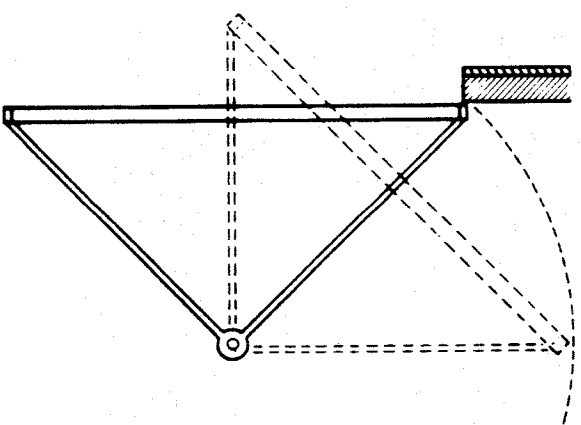
Trackless Door

SEE SECTION III.

1-Piece Door
Jamb Type Hardware
(No Track)



1-Piece Door
Pivot Type Hardware
(No Track)



SECTION II — INSTALLATION ON TRACK OPERATED DOORS

WARNING

GARAGE DOOR SPRINGS ARE POWERFUL.

They balance the weight of the door. Sudden release of spring tension can result in deadly force.

NEVER TRY TO WORK ON SPRINGS CALL A PROFESSIONAL FOR SERVICE.

WARNING

HANDLES AND OTHER DOOR PROJECTIONS CAN CATCH CLOTHING.

- Remove all handles.
- Remove all ropes.
- Remove all hooks and hangers.
- Remove all decorative or security items mounted on door.

Keep people and pets away from door when it is moving.

CAUTION

AVOID DAMAGE TO OPERATOR AND VEHICLES.

Be sure emergency release cord doesn't catch on roof carrier or other vehicle parts.
Operator must be mounted 7 feet or more above garage floor.
Emergency release knob must be 6 feet above garage floor.

1 ESTABLISH CENTER LINE OF DOOR AND HEADER. (Fig. 7)

- Close door.
- Measure door width. Mark center.
- Use straight edge to draw vertical line "V".
- down door about 6"
- on top of door.
- up header about 6"

2 ESTABLISH HEADER BRACKET POSITION. (Fig. 8)

NOTE: Header bracket must be at least 2-1/2" above high point of door travel. It can be installed higher if door spring is in the way.

DO NOT MOVE THE SPRING.

- Watch top edge of door as you raise it.
- Stop door when top edge reaches highest point of travel.
- Measure distance from top edge of door to floor.
- Add 2-1/2" to this measurement.
- Close door.
- Mark header at this height.
- If door spring is in the way, mark header above the spring.
- Draw horizontal line "H" across line "V" at this point. (Fig. 7)

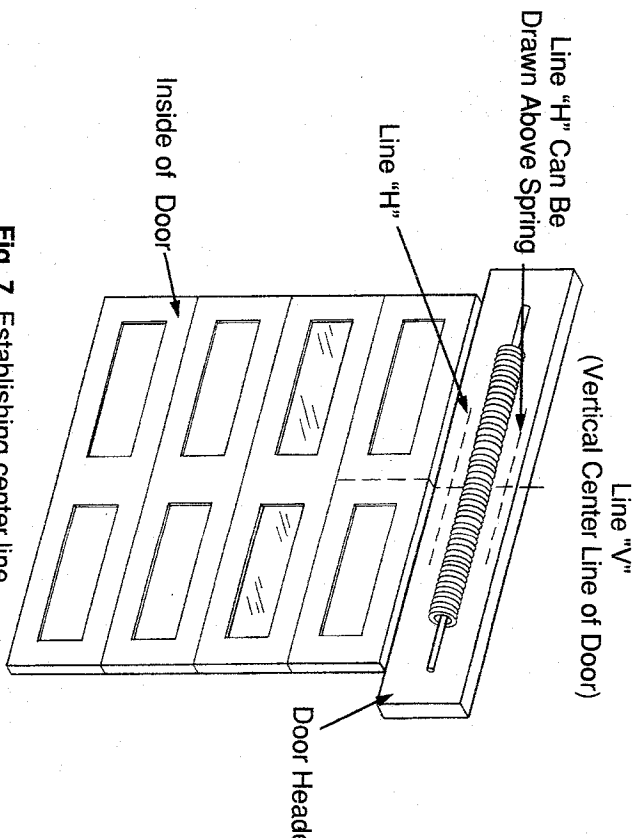


Fig. 7. Establishing center line

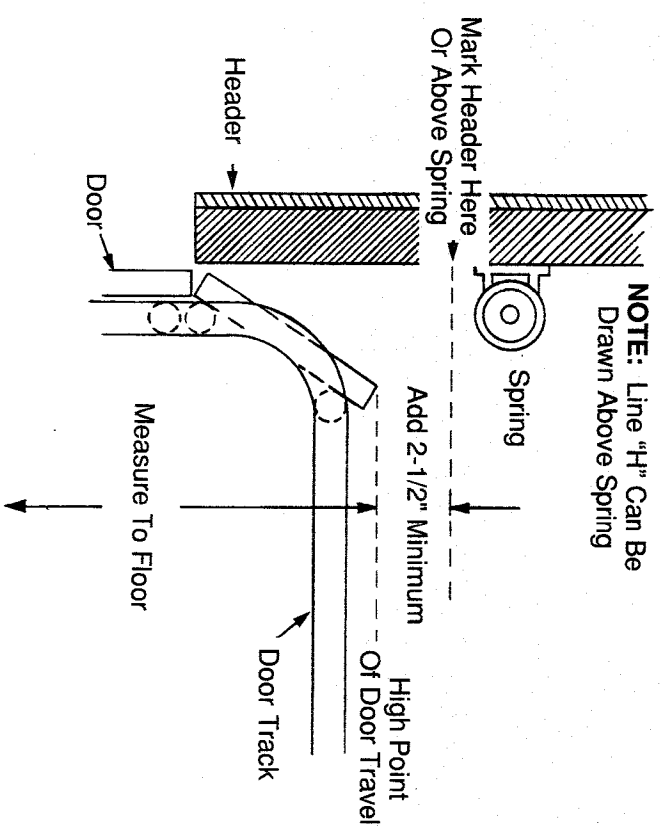


Fig. 8. Header bracket position

ATTACH HEADER BRACKET

(Either mounting method is acceptable. Use at least 2 lag screws)

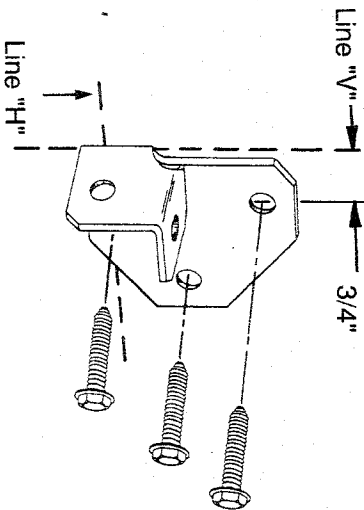
WARNING

HEADER BRACKET MUST BE FASTENED TO GARAGE FRAMING.

- Do not fasten to:
 - Dry wall
 - Particle board
 - Plaster
 - Other such materials

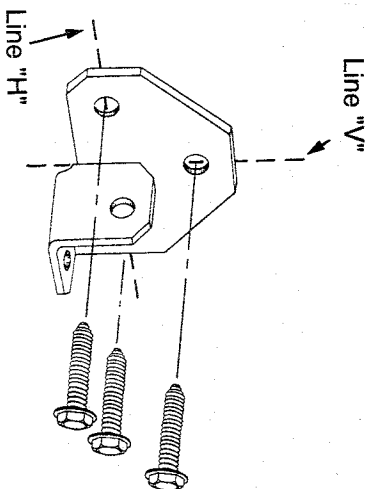
3A VERTICAL MOUNTING.

- Place bracket so:
 - Top and bottom holes are 3/4" to right of line "V"
 - Bottom hole is on line "H"
- Mark hole positions.
- Drill 7/32" holes at marked positions.
- Fasten bracket to header with lag screws.

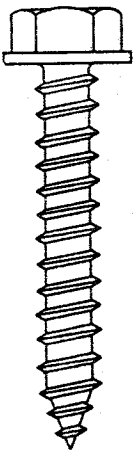


3B HORIZONTAL MOUNTING.

- Place bracket so:
 - Top hole is on line "V"
 - Bottom holes are on line "H"
- Mark hole positions.
- Drill 7/32" holes at marked positions.
- Fasten bracket to header with lag screws.



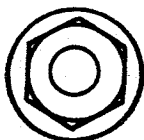
Actual Size Fastener



Lag Screw
5/16 x 2

4 ATTACH OPERATOR TO HEADER BRACKET. (Fig. 9)

- Insert threaded end of rail strap through header bracket hole.
- Place foam packing block under power unit.
- Install nut.
- Finger tighten only.



Actual Size Fastener

Nut
5/16
(Finger Tight Only)

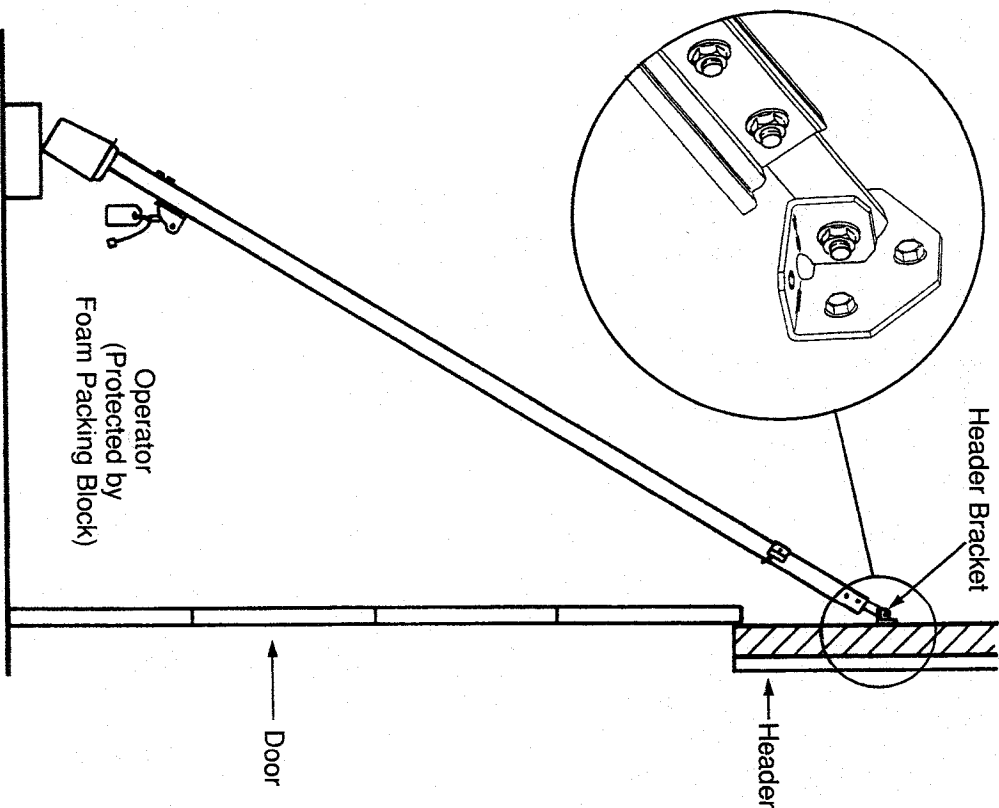
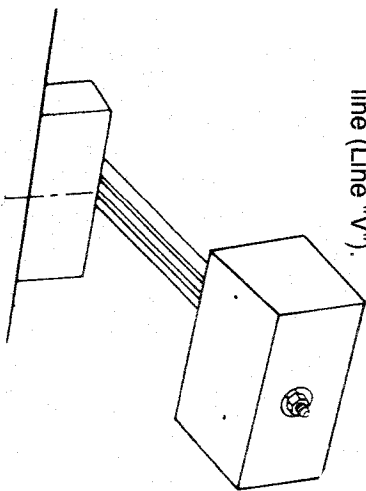


Fig. 9 Attaching Operator to Header Bracket

5 LEVEL OPERATOR.

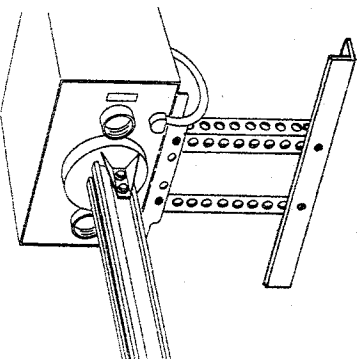
NOTE: The operator should be level if possible. If necessary, power unit may be mounted lower. However mounted, door must not touch rail as it moves.

- Raise and support power unit above door tracks.
- Open door.
- Set operator on door.
- Level operator with blocks.
- Be sure operator is on door center line (Line "V").



Support With
Foam Packing
Blocks or Wood

Perforated Angle Iron Method

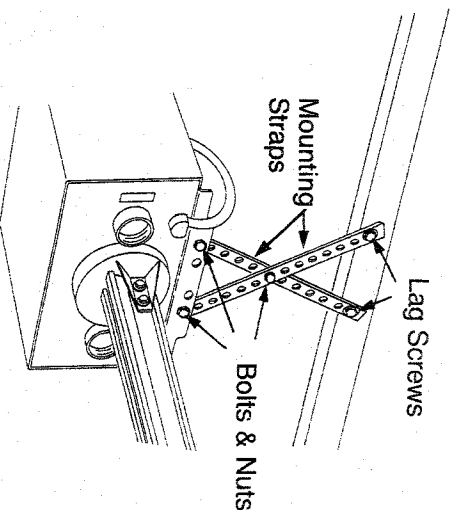


Check the illustrations below. Decide which mounting method you will use. Parts are supplied for STRAP MOUNTING method only.

6 MOUNT POWER UNIT

WARNING
Mounting material must be fastened to garage framing. **DO NOT FASTEN TO:**

- dry wall
- particle board
- plaster
- other such materials



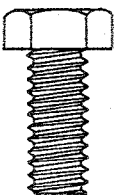
Lag Screws

Mounting
Straps

Bolts & Nuts

NOTE: Garage constructions differ. You may have to modify the basic procedure. You may need additional materials. Read all instructions completely. Determine your needs. Secure all additional materials before you proceed.

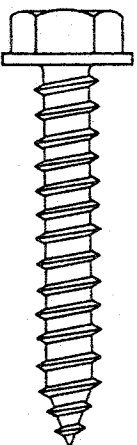
Actual Size Fasteners



Bolt
5/16 x 3/4



Nut
5/16

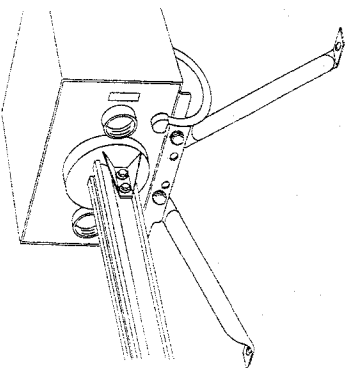


Lag Screw
5/16 x 2

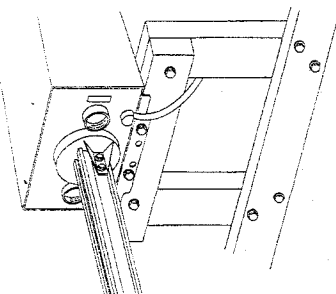
STRAP MOUNTING

- Attach straps to power unit.
- Use bolts and nuts.
- Finger tighten only.
- Cross straps halfway between power unit and overhead support.
- Use bolt and nut to fasten straps.
- Tighten all three nuts securely.
- Mark overhead support through one hole in each strap.
- Bend strap ends if necessary.
- Drill 7/32 pilot holes.
- Fasten to overhead support.
- Use lag screws.
- Remove blocks supporting operator.
- Close door.
- **DO NOT PLUG POWER CORD INTO OUTLET.**

Conduit Method



Lumber Method



7 INSTALL DOOR BRACES

CAUTION

FAILURE TO PROPERLY BRACE DOOR MAY RESULT IN DAMAGE TO DOOR.

Some doors require bracing before mounting an operator. This includes doors made of:

- fiberglass
- metal
- masonry
- lightweight wood

Contact door manufacturer or distributor. Ask for bracing instructions required for an automatic door operator.

THE GENIE COMPANY IS NOT RESPONSIBLE FOR DOOR DAMAGE DUE TO IMPROPER BRACING.

8 INSTALL DOOR BRACKET.

(Fig. 10)

NOTE: Door should be closed for this step. Bracket can be installed with leg up or down.

- Place door bracket on line "V".
- on inside of door as shown.
- position below brace.
- no lower than top rollers.
- Mark hole locations.
- Drill 1/4" holes completely through door.
- Fasten bracket to door with 3 carriage bolts.
- Insert bolts from outside.
- Install and tighten nuts securely.

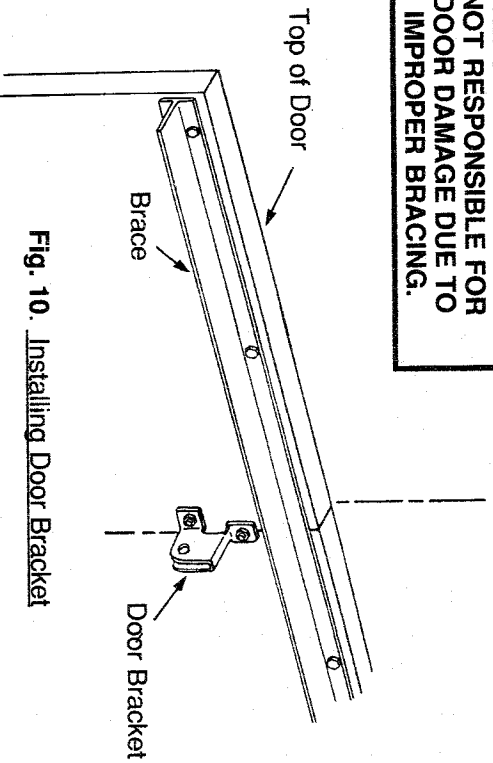
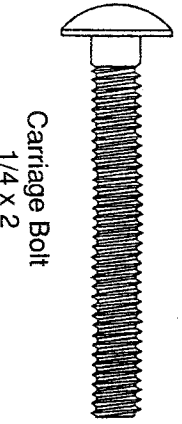


Fig. 10. Installing Door Bracket



Carriage Bolt
1/4 x 2



Nut
1/4



Actual Size Fasteners

Hairpin Cotter

9 INSTALL DOOR ARMS. (Fig. 11)

- Attach straight door arm to carriage.
- Slip arm into slot at bottom of carriage as shown.
- Secure with clevis pin and hairpin cotter.
- Attach short end of curved door arm to door bracket as shown.
- Slip short end into slot in door bracket.
- Secure with clevis pin and hairpin cotter.

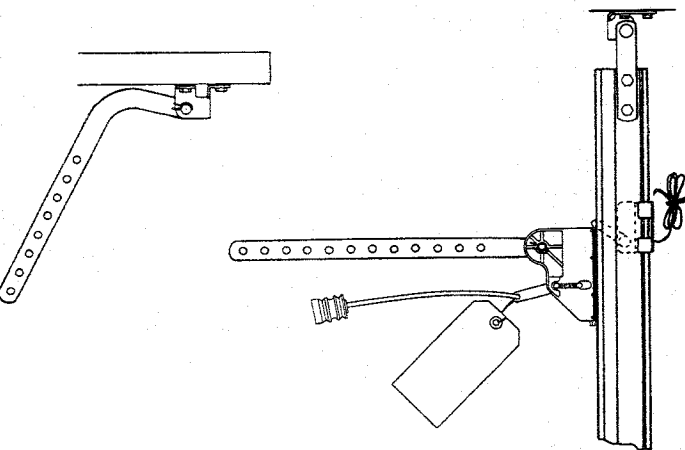
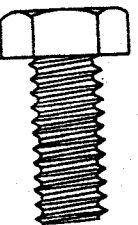


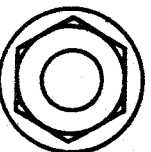
Fig. 11. Installing Door Arms



Clevis Pin



Bolt
3/8 x 7/8



Nut
3/8

10 GO TO SECTION IV, PAGE 22.

- Pull Emergency Release knob down to release carriage.
- Slide carriage toward closed door.
- Stop carriage 8" to 10" from door.
- Join arm sections. (Fig. 12)
- Use two bolts and nuts.
- Use holes as far apart as possible.
- Slide carriage back and forth as needed to align holes.
- Tighten nuts securely.

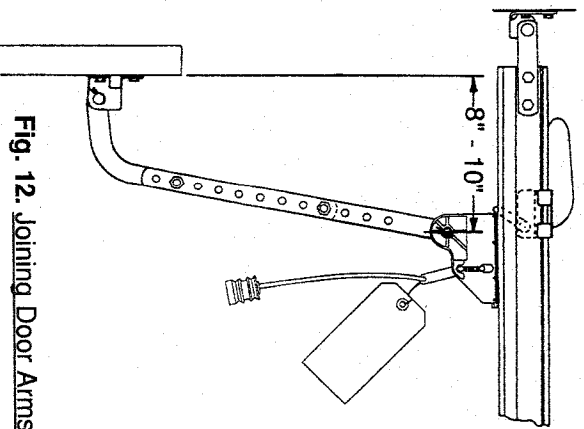


Fig. 12. Joining Door Arms

SECTION III — INSTALLATION ON SINGLE PIECE DOORS

WARNING

GARAGE DOOR SPRINGS ARE POWERFUL.

They balance the weight of the door. Sudden release of spring tension can result in deadly force.

**NEVER TRY TO WORK ON SPRINGS
CALL A PROFESSIONAL FOR SERVICE.**

WARNING

**HANDLES AND OTHER DOOR
PROJECTIONS CAN CATCH CLOTHING.**

- Remove all handles.
- Remove all ropes.
- Remove all hooks and hangers.
- Remove all decorative or security items mounted on door.

Keep people and pets away from door when it is moving.

CAUTION

**AVOID DAMAGE TO OPERATOR AND
VEHICLES.**

Be sure emergency release cord doesn't catch on roof carrier or other vehicle parts.

Operator must be mounted 7 feet or more above garage floor.
Emergency release knob must be 6 feet above garage floor.

**1 ESTABLISH CENTERLINE OF DOOR AND
HEADER. (Fig. 13)**

- Close door.
- Measure door width. Mark center.
- Use straight edge to draw vertical line "V":
- down door about 6"
- on top of door.
- up header about 20"

2 ESTABLISH HEADER BRACKET POSITION.
(Fig. 13)

- Measure 15" to 20" up line "V" from top of closed door.
- Draw horizontal line "H" across line "V" at this point.

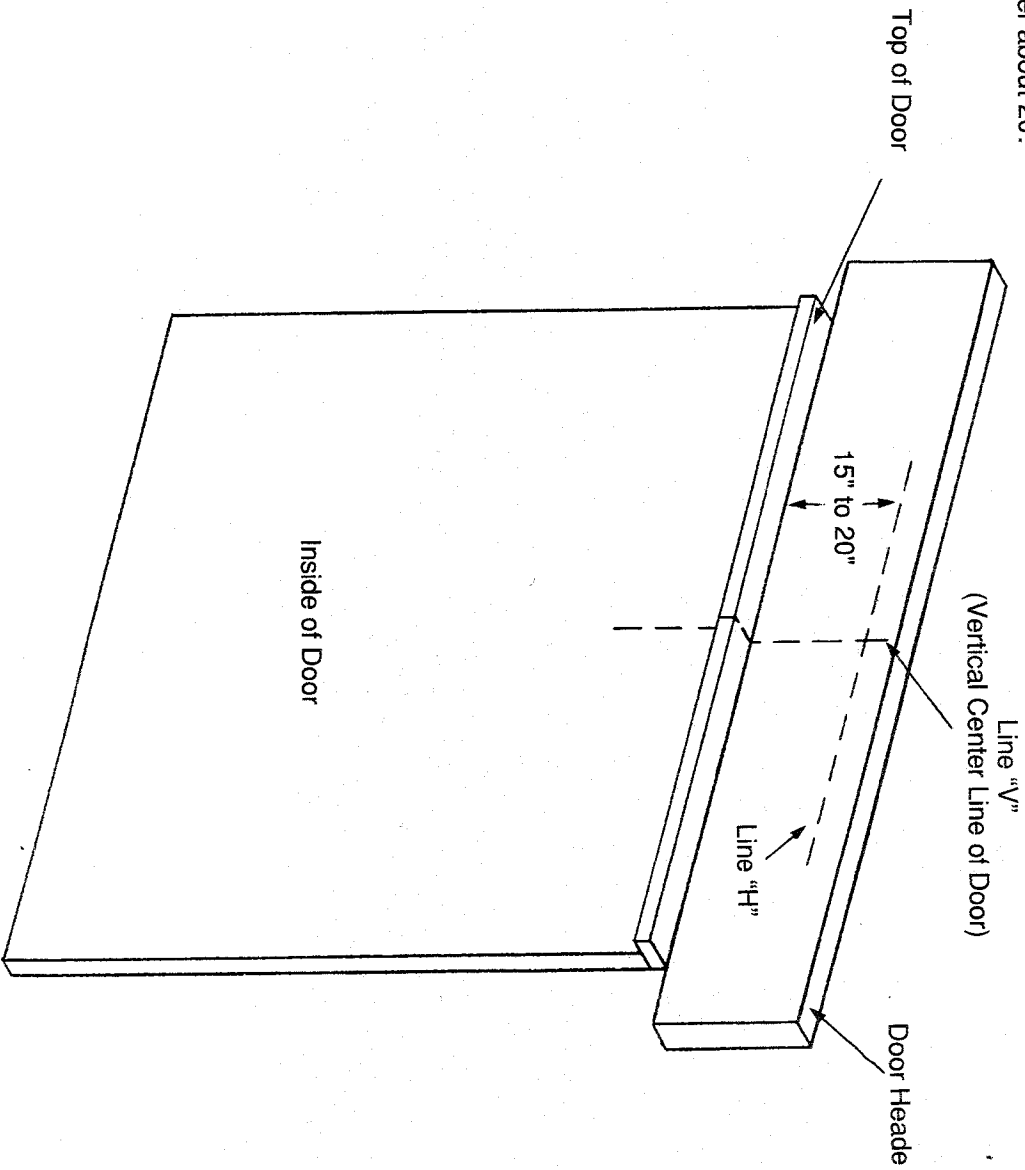


Fig. 13. Establishing Center Line

ATTACH HEADER BRACKET

(Either mounting method is acceptable. Use at least 2 lag screws)

WARNING

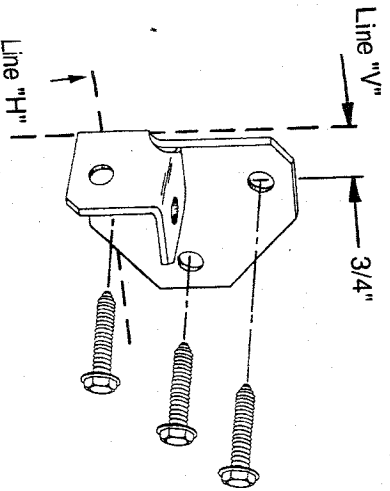
HEADER BRACKET MUST BE FASTENED TO GARAGE FRAMING.

- Do not fasten to:
- Dry wall
- Particle board

- Plaster
- Other such materials

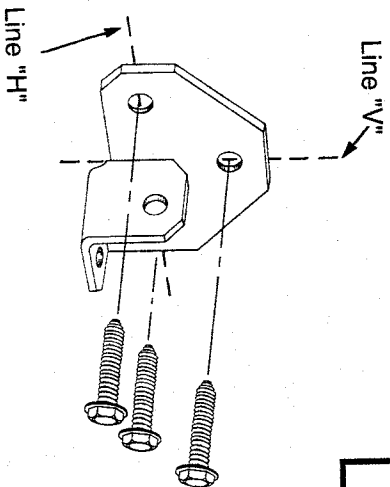
3A VERTICAL MOUNTING.

- Place bracket so:
- Top and bottom holes are 3/4" to right of line "V"
- Bottom hole is on line "H"
- Mark hole positions.
- Drill 7/32" holes at marked positions.
- Fasten bracket to header with lag screws.

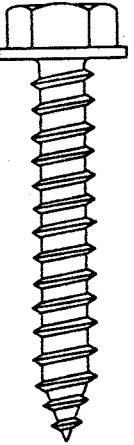


3B HORIZONTAL MOUNTING.

- Place bracket so:
- Top hole is on line "V"
- Bottom holes are on line "H"
- Mark hole positions.
- Drill 7/32" holes at marked positions.
- Fasten bracket to header with lag screws.



Actual Size Fastener



Lag Screw
5/16 x 2

4 INSTALL DOOR BRACES

CAUTION

FAILURE TO PROPERLY BRACE DOOR MAY RESULT IN DAMAGE TO DOOR.

Some doors require bracing before mounting an operator. This includes doors made of:

- fiberglass
- metal
- masonry
- lightweight wood

Contact door manufacturer or distributor. Ask for bracing instructions for an automatic door operator.

THE GENIE COMPANY IS NOT RESPONSIBLE FOR DOOR DAMAGE DUE TO IMPROPER BRACING.

5 INSTALL DOOR BRACKET.

(Fig 14)

- Place door bracket on line "V" on top of door.
- Mark hole locations.
- Drill 5/32" pilot holes.
- Fasten bracket to door with lag screws.

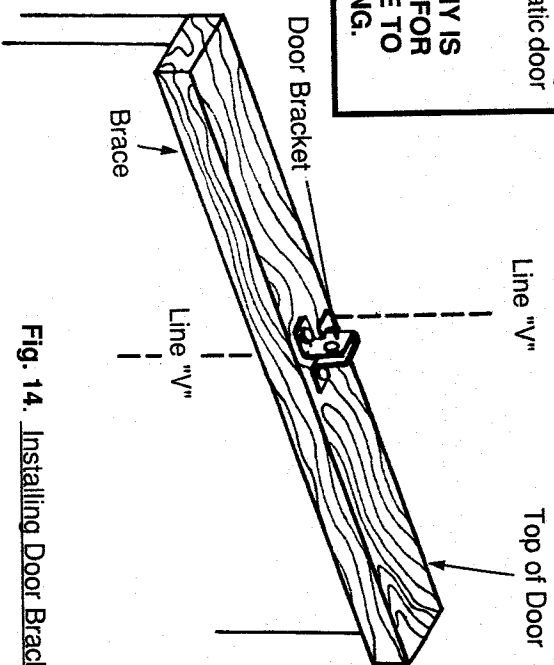
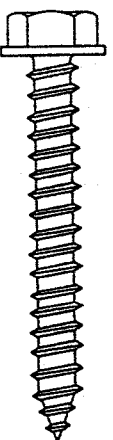


Fig. 14. Installing Door Bracket

Actual Size Fastener



Lag Screw
1/4 x 2

6 ATTACH OPERATOR TO HEADER BRACKET. (Fig. 15)

- Insert threaded end of rail strap through header bracket hole.
- Place foam packing block under power unit.
- Install nut.
- Finger tighten only.

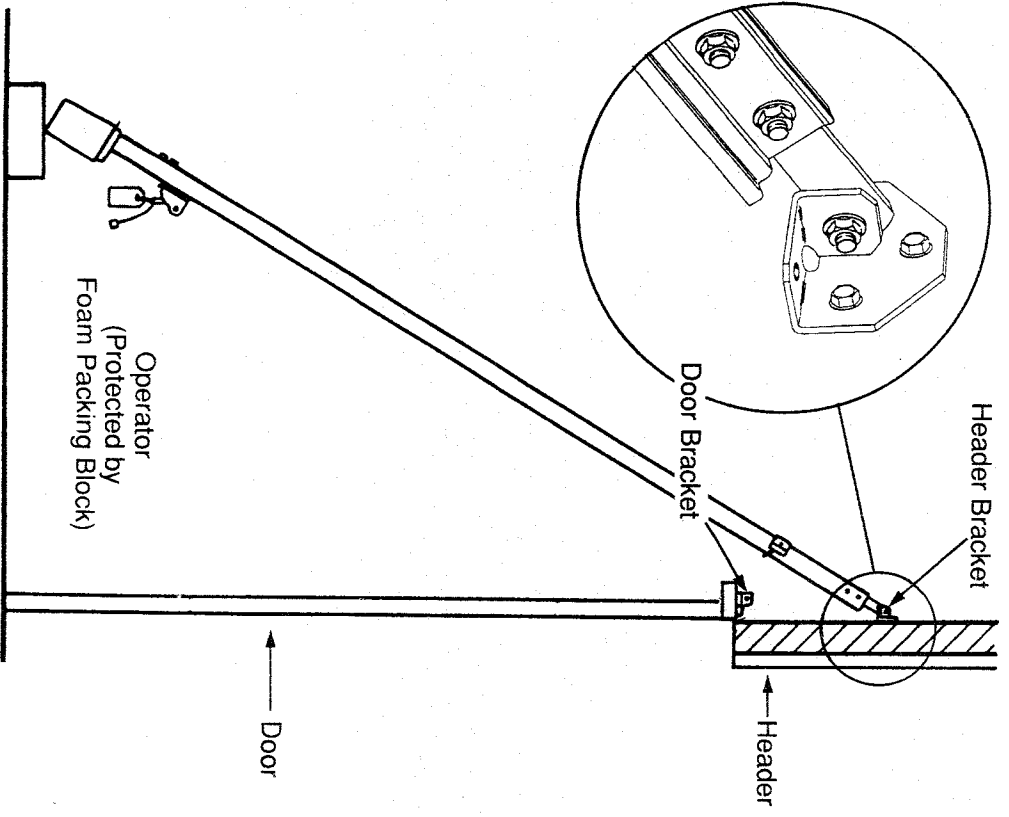
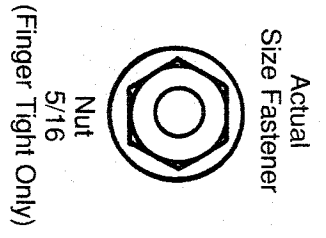


Fig. 15. Attaching Operator to Header Bracket

7 RAISING POWER UNIT. (Fig. 16)

- Support power unit at least 7-1/2 feet above floor. Use:
- Ladder.
- Foam packing blocks.
- Wood.
- Open door carefully.
- Center operator over line "V" on door.

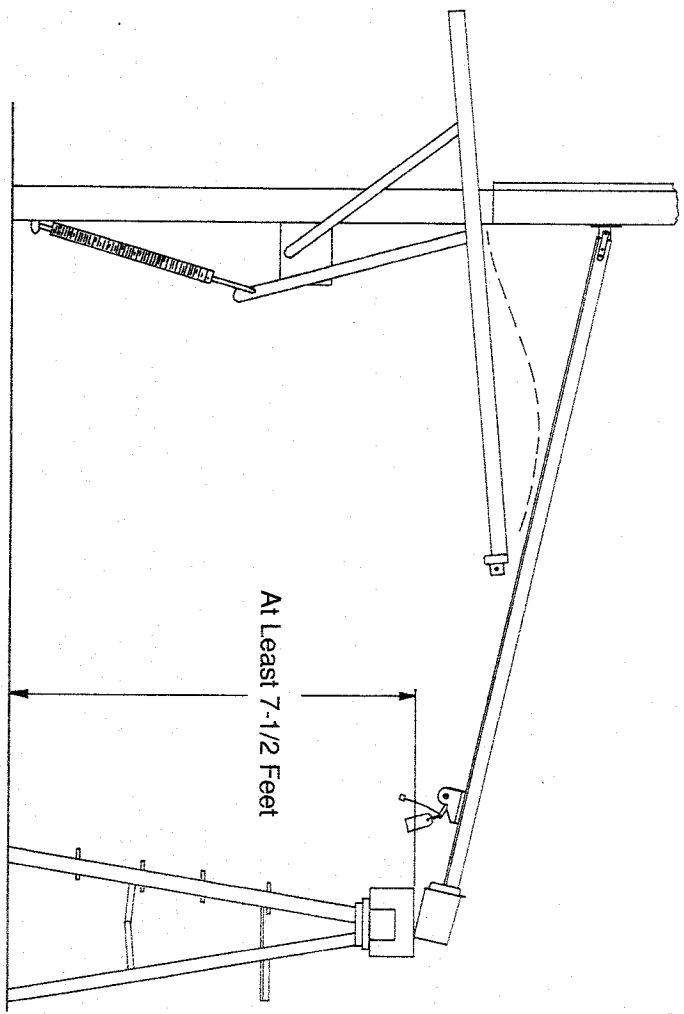


Fig. 16. Raising Power Unit

8 JOIN DOOR ARMS (Fig. 17)

- Overlap arms by two (2) holes.
- Install bolts and nuts.
- Tighten nuts securely.

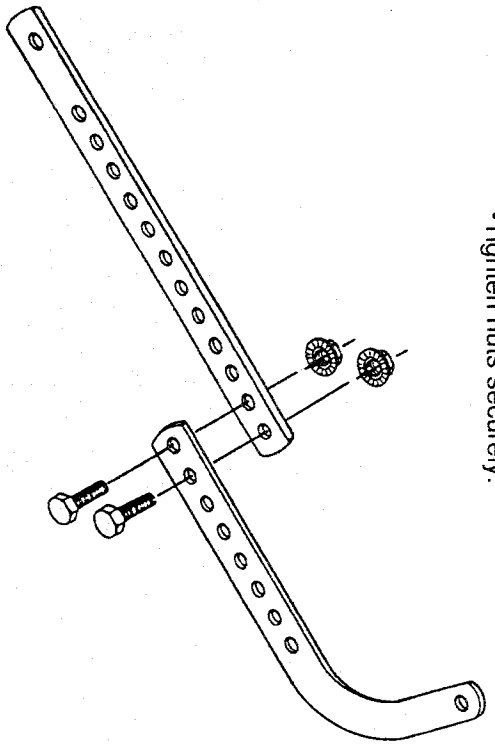
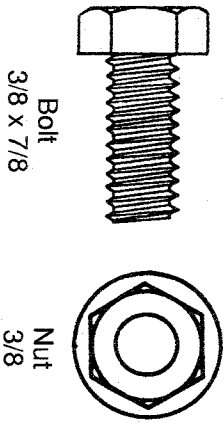


Fig. 17. Joining Door Arms

Actual Size Fasteners



9 INSTALL ASSEMBLED DOOR ARMS. (Fig. 18)

- Attach straight end of assembled door arms to door bracket.
- Slip arm into slot in bracket.
- Secure with clevis pin and hairpin cotter.
- Pull emergency release cord down to release carriage.
- Attach curved end of arm to carriage
- Slip curved end into slot in carriage.
- Secure with clevis pin and hairpin cotter.

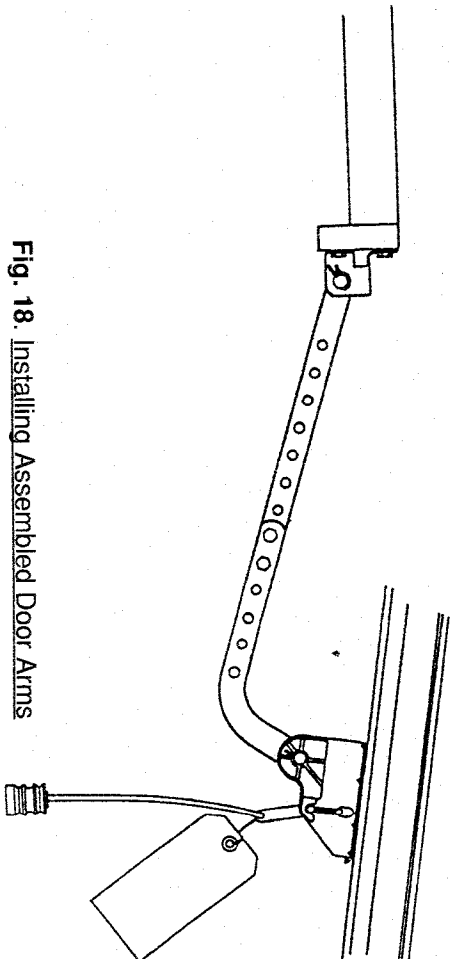
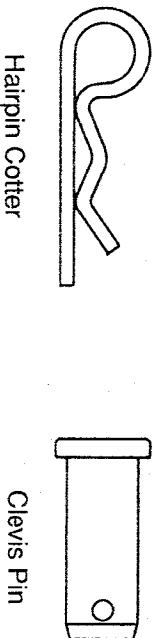


Fig. 18. Installing Assembled Door Arms

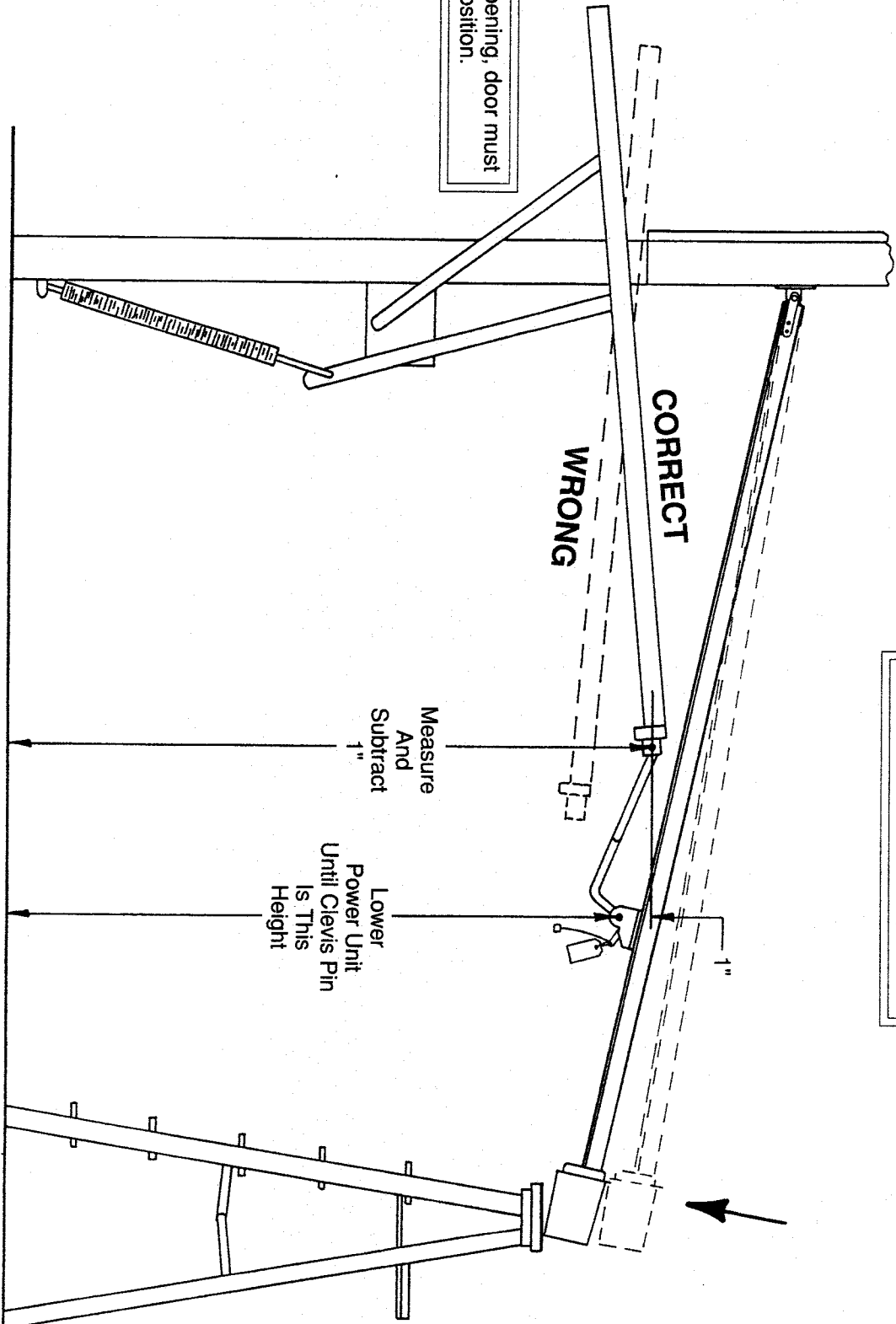
Actual Size Fasteners



10 ESTABLISH POWER UNIT MOUNTING HEIGHT.

- Measure distance from door bracket clevis pin to floor.
- Subtract 1".
- Lower power unit until carriage clevis pin is this height.
- Temporarily support operator in this position.

NOTE: When opening, door must not pass level position.



NOTE: Door arms supplied may not be long enough for some installations. If you are not able to close your door after completing step 10, you will require a longer door arm. An extension kit can be purchased through GENIE by calling:
1-800-OK-GENIE

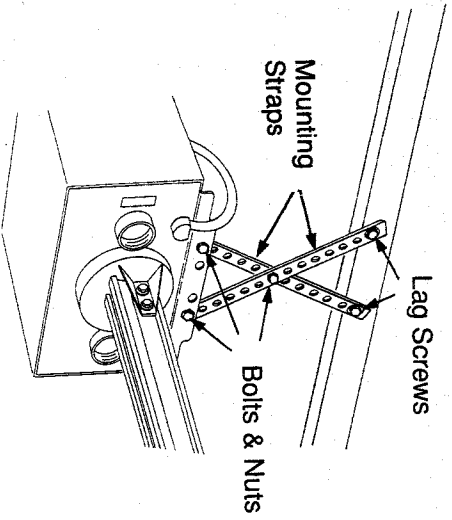
11 MOUNT POWER UNIT

Check the illustrations below. Decide which mounting method you will use. Parts are supplied for STRAP MOUNTING method only.

WARNING

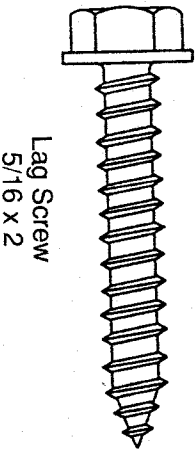
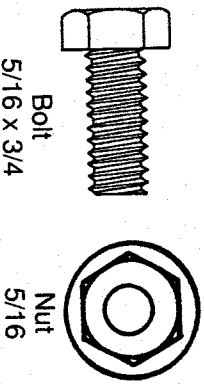
Mounting material must be fastened to garage framing.
DO NOT FASTEN TO:

- dry wall
- particle board
- plaster
- other such materials



NOTE: Garage constructions differ. You may have to modify the basic procedure. You may need additional materials. Read all instructions completely. Determine your needs. Secure all additional materials before you proceed.

Actual Size Fasteners

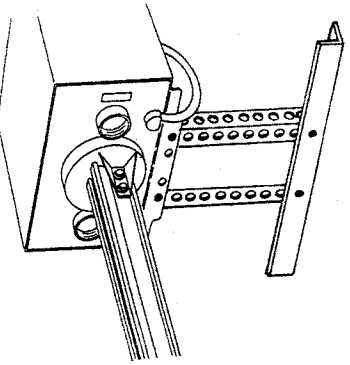


STRAP MOUNTING

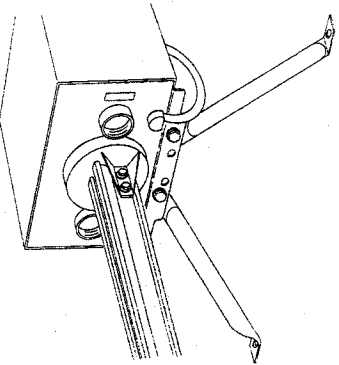
- Attach straps to power unit.
- Use bolts and nuts.
- Finger tighten only.
- Cross straps halfway between power unit and overhead support.
- Use bolt and nut to fasten straps.
- Tighten all three nuts securely.
- Mark overhead support through one hole in each strap.
- Bend strap ends if necessary.
- Drill 7/32 pilot holes.
- Fasten to overhead support.
- Use lag screws.
- Remove temporary support.
- DO NOT PLUG POWER CORD INTO OUTLET.

12 GO TO SECTION IV, PAGE 22.

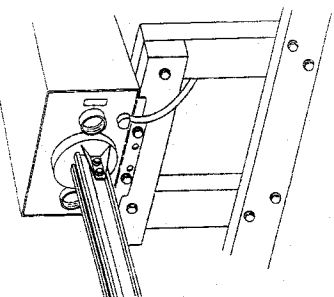
Perforated Angle Iron Method



Conduit Method



Lumber Method



SECTION IV -- ADJUSTING LIMIT SWITCHES

1 ADJUST "DOWN" LIMIT SWITCH

- (Fig. 19)
- Be sure carriage is released.
 - Close door by hand.
 - To begin adjustment, limit switch must be between carriage and rail strap. If not, move limit switch.
 - Move limit switch until arm overlaps carriage by about 1".
 - Tighten screw.
 - Slight adjustment may be needed later.
 - Bundle excess wire (use twist tie).

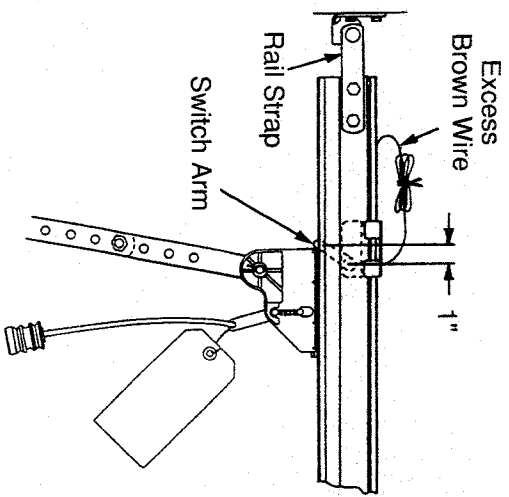


Fig. 19. Adjusting DOWN Limit Switch

2 ADJUST "UP" LIMIT SWITCH

- (Fig. 20)
- Fully open door by hand.
 - To begin adjustment, limit switch must be between carriage and power unit. If not, move limit switch.
 - Move limit switch until arm overlaps carriage by about 1".
 - Tighten screw.
 - Slight adjustment may be needed later.
 - Bundle excess wire (use twist tie).

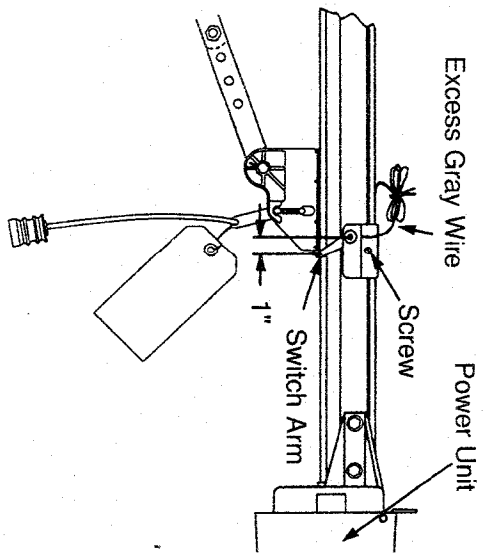


Fig. 20. Adjusting UP Limit Switch

SECTION V -- INSTALL WALL CONTROL

IF YOU HAVE THIS WALL CONTROL,
FOLLOW THESE DIRECTIONS.

IF YOU HAVE THIS WALL CONTROL,
FOLLOW THESE DIRECTIONS.

WARNING

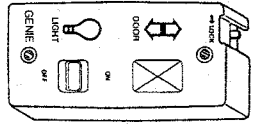
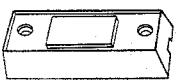
UNINTENTIONAL OPERATION
POSSIBLE. ELECTRICAL
SHOCK HAZARD.

Be sure power cord is unplugged before attaching any wires.
Be sure wire ends do not touch each other. Be sure wire ends do not touch other terminals.

WARNING

UNINTENTIONAL OPERATION
POSSIBLE. ELECTRICAL
SHOCK HAZARD.

Be sure power cord is unplugged before attaching any wires.
Be sure wire ends do not touch each other. Be sure wire ends do not touch other terminals.



1 PREPARE WIRES FOR POWER UNIT.

- Strip 1/2" insulation from each wire.

1 PREPARE WIRES FOR POWER UNIT.

- Strip 2" of jacket from wire.
- Strip 1/2" insulation from each wire.

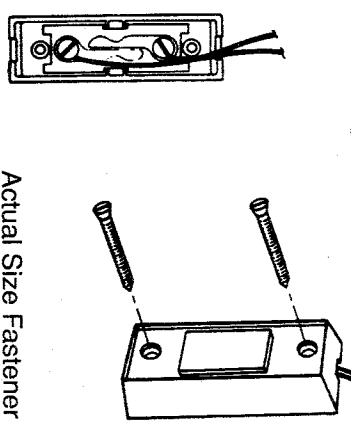
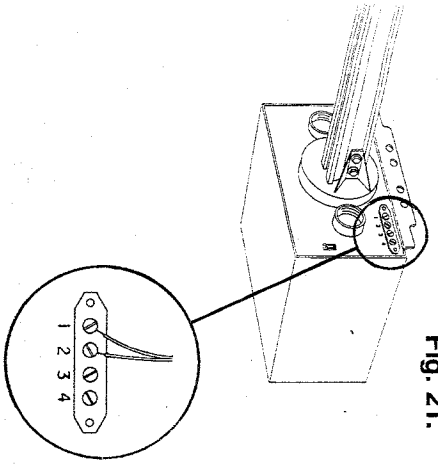
2 ATTACH WIRES TO POWER UNIT. (Fig. 21)

- Attach one wire to terminal 1.
- Attach other wire to terminal 2.

2 ATTACH WIRES TO POWER UNIT. (Fig. 23)

- White wire to terminal 1.
- Black wire to terminal 2.
- Yellow wire to terminal 3.
- Green wire to terminal 4.

Fig. 21.



MOVING DOORS CAN INJURE PEOPLE OR PETS.

WARNING

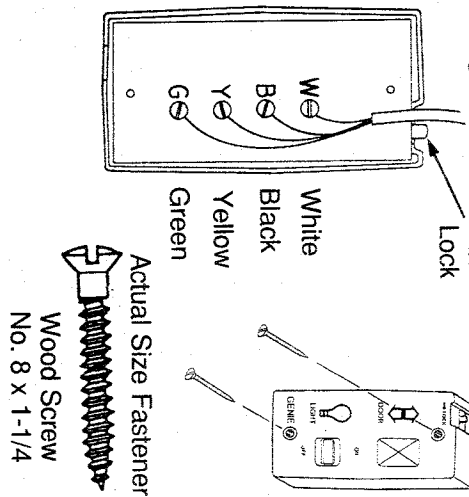
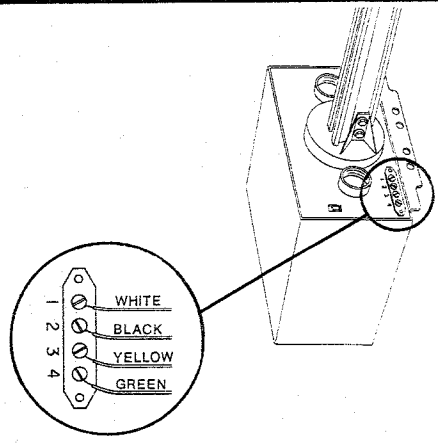
Mount wall control:

- Where door can be seen.
- Out of reach of children.
- Where user cannot stand under or near moving door.

FOR MAXIMUM SAFETY:

- Show everyone who will use operator how to do it safely.
- Operate door only when it's fully visible.
- Do not operate door when anyone is in area.
- Do not allow anyone to run under moving door.
- Do not allow children or pets to play under door.
- Do not let children play with controls.

Fig. 23.



MOVING DOORS CAN INJURE PEOPLE OR PETS.

WARNING

Mount wall control:

- Where door can be seen.
- Out of reach of children.
- Where user cannot stand under or near moving door.

FOR MAXIMUM SAFETY:

- Show everyone who will use operator how to do it safely.
- Operate door only when it's fully visible.
- Do not operate door when anyone is in area.
- Do not allow anyone to run under moving door.
- Do not allow children or pets to play under door.
- Do not let children play with controls.

3 SELECT A LOCATION FOR THE WALL CONTROL.

- Route wire from power unit to wall control location.
- Staple wire to ceiling and wall.
- Drive Staples just tight enough to hold wire.

4 PREPARE WIRE FOR WALL CONTROL.

- Strip 1/2" insulation from each wire.

5 ATTACH WIRE TO WALL CONTROL. (Fig. 22)

- Attach one wire under top screw head.
- Attach other under bottom screw head.

6 MOUNT WALL CONTROL WITH WOOD SCREWS. (Fig. 22)

7 MOUNT CAUTION LABEL NEAR CONTROL.

- Read the label now.
- Make certain everyone reads and follows CAUTIONS.

3 SELECT A LOCATION FOR THE WALL CONTROL.

- Route wire from power unit to wall control location.
- Staple wire to ceiling and wall.
- Drive staples just tight enough to hold wire.

4 PREPARE WIRE FOR WALL CONTROL.

- Strip 2" of jacket from wire.
- Strip 1/2" insulation from each wire.

5 ATTACH WIRE TO WALL CONTROL. (Fig. 24)

- White wire under screw head "W".
- Black wire under screw head "B".
- Yellow wire under screw head "Y".
- Green wire under screw head "G".

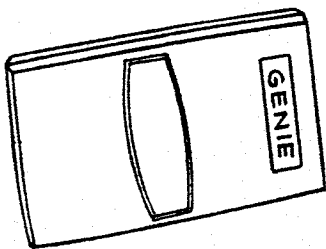
6 MOUNT WALL CONTROL WITH WOOD SCREWS. (Fig. 24)

7 PLACE CAUTION LABEL NEAR CONTROL.

- Read the label now.
- Make certain everyone reads and follows CAUTIONS.

SECTION VI — SETTING PERSONAL CODE

IF YOU HAVE THIS KIND OF REMOTE CONTROL, FOLLOW THESE DIRECTIONS.



One-Button Remote Control
Model AT90

- NOTE:** For maximum security set your personal code.
- Do not leave all code switches at factory setting.

1 REMOVE REMOTE CONTROL COVER.

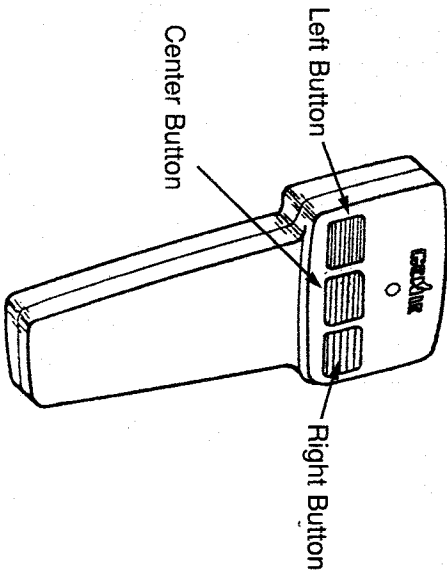
- Remove screw from back.
- Pull cover sections apart.

2 SLIDE THREE (3) OR MORE CODE SWITCHES TO SET YOUR PERSONAL CODE. (Fig. 25)

- Use ball point pen or small screwdriver.
- Slide firmly to one end of slot or other.

3 HOLD REMOTE CONTROL NEXT TO OPERATOR CODE SWITCHES. (Fig. 25)

IF YOU HAVE THIS KIND OF REMOTE CONTROL, FOLLOW THESE DIRECTIONS.



Three-Button Remote Control
Model AT95

- NOTE:** For maximum security set your personal code.
- Do not leave all code switches at factory setting.

1 REMOVE REMOTE CONTROL COVER.

- Remove screw from back.
- Pull cover sections apart.

2 LOOK AT THE TWO GROUPS OF SWITCHES: (Fig. 26)

- Group of 10 Code Switches.
- Group of 3 Button Selector Switches.

3 SLIDE THREE (3) OR MORE CODE SWITCHES TO SET YOUR PERSONAL CODE. (Fig. 26)

- Use ball point pen or small screwdriver.
- Slide firmly to one end of slot or other.

4 LEAVE ALL THREE (3) BUTTON SELECTOR SWITCHES AT "12" SIDE. (Fig. 26)

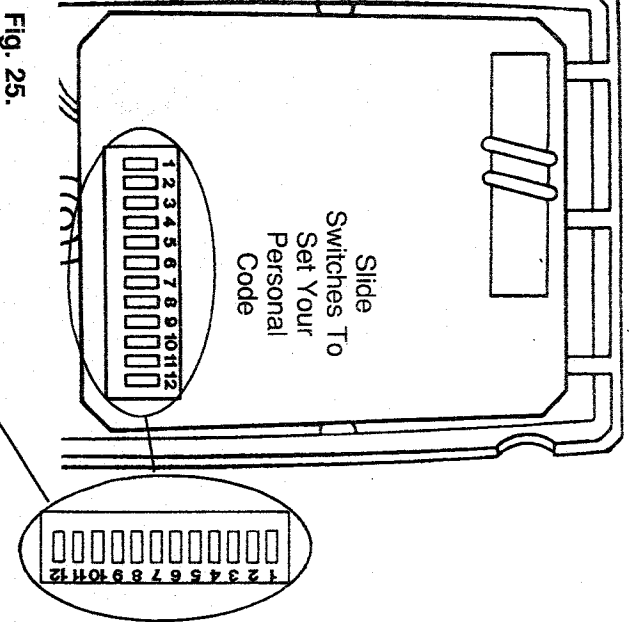


Fig. 25.

- 4 SLIDE OPERATOR CODE SWITCHES TO MATCH REMOTE CONTROL CODE SWITCHES.**
- Use ball point pen or small screwdriver.
 - Slide firmly to one end of slot or other.

- 5 REPLACE REMOTE CONTROL COVER.**
- Push cover sections firmly together.
 - Insert and tighten screw.
- YOUR REMOTE CONTROL IS READY TO USE**

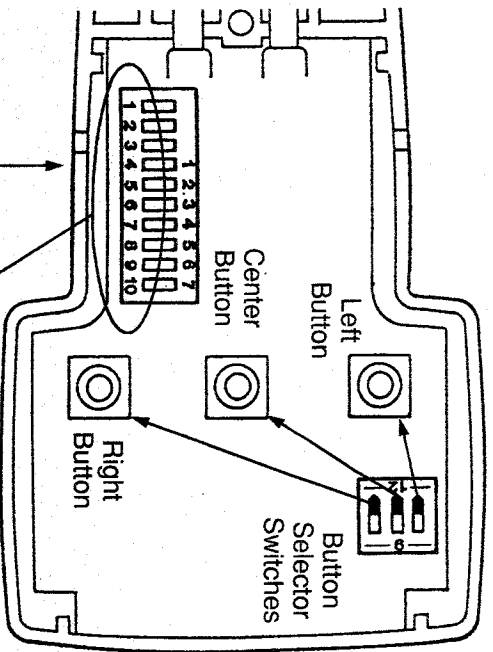
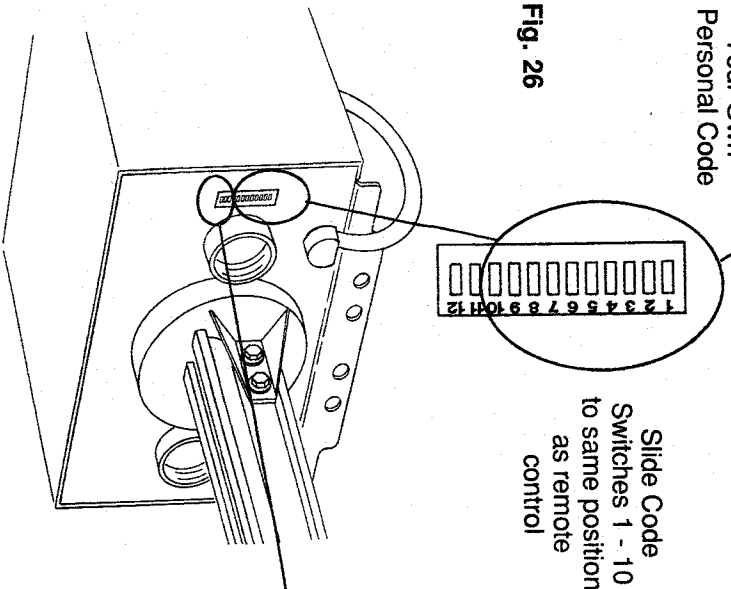


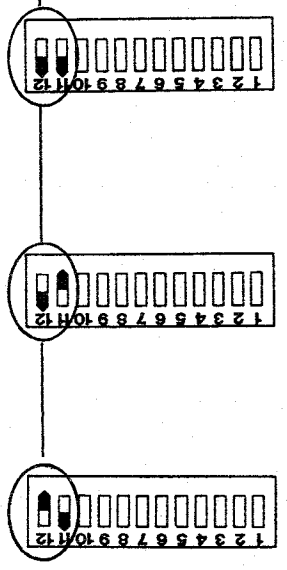
Fig. 26



- 5 HOLD REMOTE CONTROL NEXT TO OPERATOR CODE SWITCHES.** (Fig. 26)

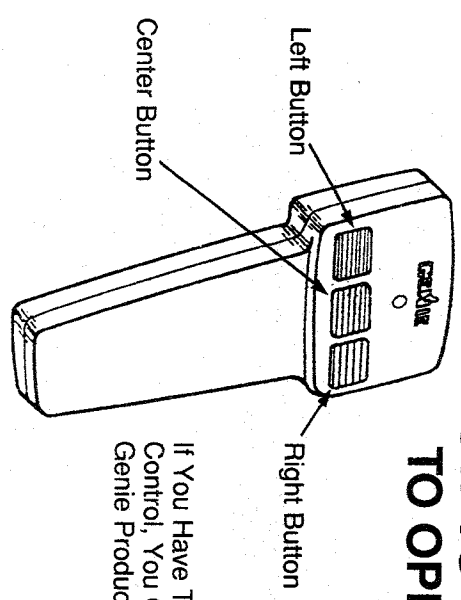
- 6 SLIDE OPERATOR CODE SWITCHES 1-10 TO MATCH REMOTE CONTROL CODE SWITCHES 1-10.** (Code switches 11 and 12 will be set later.)
- Use ball point pen or small screwdriver.
 - Slide firmly to one end of slot or other.

- 7 SETTING OPERATOR CODE SWITCHES 11 AND 12.** (These switches determine which push button on remote control makes operator work.)
- To use Left button to work door:
 - Leave Switch 11 at right.
 - Leave Switch 12 at right.
 - To use Center button to work door:
 - Slide Switch 11 to left end of slot.
 - Leave Switch 12 at right.
 - To use Right button to work door:
 - Leave Switch 11 at right.
 - Slide Switch 12 to left end of slot.



- 8 REPLACE REMOTE CONTROL COVER.**
- Push top cover section on.
 - Insert and tighten screw.
- YOUR REMOTE CONTROL IS READY TO USE.**
- NOTE: YOUR AT95 REMOTE CONTROL CAN OPERATE TWO OTHER GENIE PRODUCTS.**
- SEE PAGE 26.

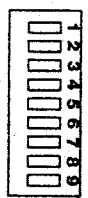
HOW TO USE YOUR AT95 REMOTE CONTROL TO OPERATE OTHER GENIE PRODUCTS



If You Have This Type Remote Control, You Can Operate Other Genie Products

LOOK AT THE CODE SWITCH IN THE OTHER GENIE PRODUCT.

IF THE CODE SWITCH LOOKS LIKE THIS, FOLLOW THESE INSTRUCTIONS.



NOTE: Do not change any switch settings you have already made on your remote control.

1 DECIDE WHICH REMOTE CONTROL BUTTON TO USE FOR YOUR OTHER GENIE PRODUCT.

2 SLIDE THE BUTTON SELECTOR SWITCH FOR THAT BUTTON TO THE "9" SIDE.

- Top switch controls left button.



- Center switch controls center button.



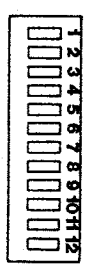
- Bottom switch controls right button.



3 HOLD REMOTE CONTROL NEXT TO CODE SWITCH IN OTHER PRODUCT.

NOTE: Your AT95 remote control operates on 390 MHz. The GENIE product you plan to control must also operate on 390 MHz. Check your GENIE product label before proceeding.

IF THE CODE SWITCH LOOKS LIKE THIS, FOLLOW THESE INSTRUCTIONS.



NOTE: Do not change any switch settings you have already made on your remote control.

1 DECIDE WHICH REMOTE CONTROL BUTTON TO USE FOR YOUR OTHER GENIE PRODUCT.

2 SLIDE THE BUTTON SELECTOR SWITCH FOR THAT BUTTON TO THE "12" SIDE.

- Top switch controls left button.



- Center switch controls center button.

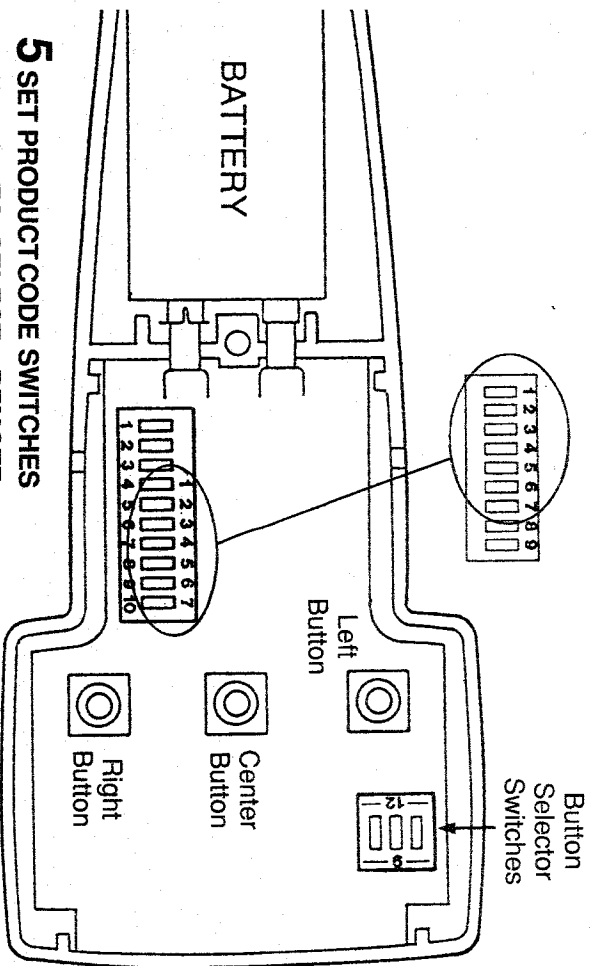


- Bottom switch controls right button.



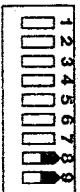
3 HOLD REMOTE CONTROL NEXT TO CODE SWITCH IN OTHER PRODUCT.

4 SLIDE PRODUCT CODE SWITCHES 1 - 7 TO MATCH REMOTE CONTROL CODE SWITCHES 1 - 7.

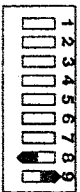


5 SET PRODUCT CODE SWITCHES 8 AND 9 TO SELECT REMOTE CONTROL BUTTON.

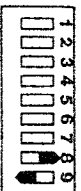
- To use LEFT button:
- Slide Product Switch 8 up.
- Slide Product Switch 9 up.



- To use CENTER button:
- Slide Product Switch 8 down.
- Slide Product Switch 9 up.



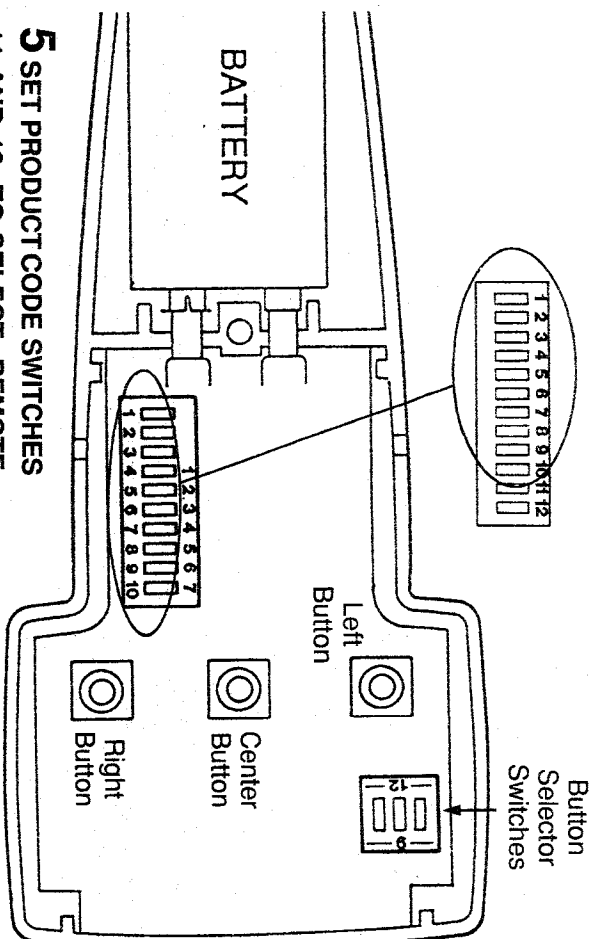
- To use RIGHT button:
- Slide Product Switch 8 up.
- Slide Product Switch 9 down.



6 REPLACE REMOTE CONTROL COVER.

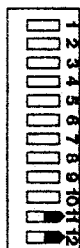
- Push top cover section on.
 - Insert and tighten screw.
- YOUR REMOTE CONTROL IS READY TO USE**

4 SLIDE PRODUCT CODE SWITCHES 1 - 10 TO MATCH REMOTE CONTROL CODE SWITCHES 1 - 10.

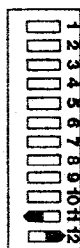


5 SET PRODUCT CODE SWITCHES 11 AND 12 TO SELECT REMOTE CONTROL BUTTON.

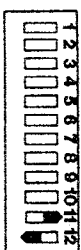
- To use LEFT button:
- Slide Product Switch 11 up.
- Slide Product Switch 12 up.



- To use CENTER button:
- Slide Product Switch 11 down.
- Slide Product Switch 12 up.



- To use RIGHT button:
- Slide Product Switch 11 up.
- Slide Product Switch 12 down.



6 REPLACE REMOTE CONTROL COVER.

- Push top cover section on.
 - Insert and tighten screw.
- YOUR REMOTE CONTROL IS READY TO USE**

SECTION VII — INSTALL LIGHT BULBS AND LENS

WARNING
ELECTRICAL HAZARD, BE SURE OPERATOR IS UNPLUGGED.

- Do not use bulbs larger than 60 watts.
- Do not use light sockets for any other purpose.

- 1 INSTALL BULBS IN BOTH LIGHT SOCKETS.** (Fig. 27)
 - Use bulbs rated for:
 - Rough Service
 - Vibration
 - Appliance
- 2 INSTALL LENS.** (Fig. 27)
 - Place two hooks in slots.
 - Swing lens up.
 - Insert screws and tighten securely.

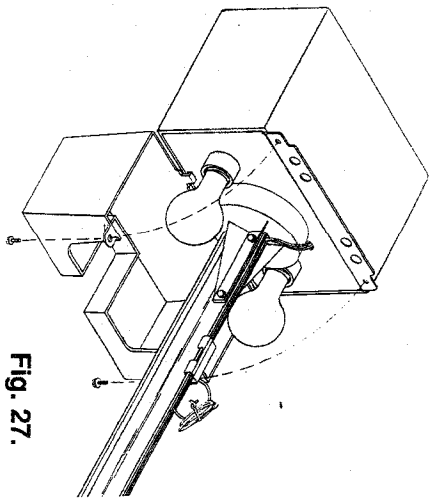
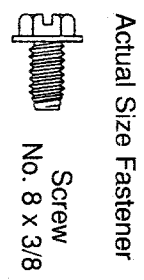


Fig. 27.

SECTION VIII — CONNECT OPERATOR TO POWER

WARNING
ELECTRICAL SHOCK HAZARD, HIGH VOLTAGE APPLIED TO OPERATOR.

Improper wiring can result in severe electrical shock or death.

- Attach power cord only to properly grounded outlet.
- Do not remove grounding prong from power cord plug.
- Do not use an extension cord to supply permanent power to operator.

Have a professional electrician install an approved outlet.

ELECTRICAL OUTLET

- 1 PLUG OPERATOR POWER CORD INTO GROUNDED OUTLET.** (Fig. 28)

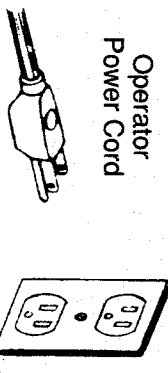


Fig. 28.

PERMANENT WIRING

(Materials Not Included)

- 1 CHECK YOUR LOCAL BUILDING CODES.**
 - Some codes require direct wiring to a branch circuit.
 - Have a professional electrician install circuit and wire operator.

WARNING
ELECTRICAL SHOCK HAZARD.

Disconnect electrical power before working on operator.

- 3 CONNECT BRANCH CIRCUIT TO OPERATOR.**
 - Remove 7/8" diameter knock-out from power unit.
 - Install suitable entrance bushing.
 - White wire to silver terminal.
 - Black wire to brass terminal.
 - Green wire to green screw.

- 2 REMOVE EXISTING POWER CORD FROM POWER UNIT:**
 - Remove power unit cover.
 - Loosen four screws (do not remove).
 - Slide cover straight back.
 - Disconnect three power cord wires.
 - Pry out strain relief plug.
 - Remove power cord.

- 4 REPLACE POWER UNIT COVER.**
 - Slide straight on.
 - Tighten 4 screws.

SECTION IX — ADJUST SAFETY REVERSE

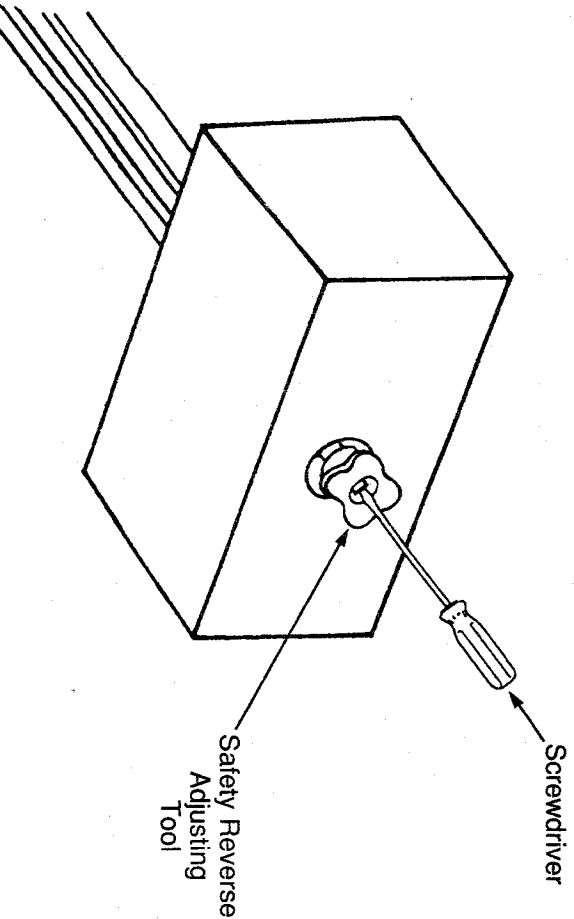
FOR MAXIMUM SAFETY, ADJUST YOUR GENIE SO THAT THE MINIMUM FORCE NEEDED TO OPERATE DOOR IS USED.

WARNING
DISCONNECT POWER TO OPERATOR BEFORE MAKING ANY ADJUSTMENTS

NOTE: Be sure door is fully open and carriage is engaged.

1 LOOSEN ADJUSTING NUT BY TURNING COUNTERCLOCKWISE 3 TURNS.

- Use safety reverse adjusting tool.
- Use screwdriver to keep threaded shaft from turning.



2 CLOSE AND OPEN DOOR.

- Use wall control.
- If door does not completely close and open, go to step 3.

If door completely closes and opens, loosen the nut one turn at a time until door no longer completes the close and open travel. Go to step 3.

NOTE: If door stops and does not respond to controls, power unit is overheated. This is normal. Wait about 20 minutes before continuing adjustment.

3 TIGHTEN ADJUSTING NUT 1/2 TURN AT A TIME.

- Use safety reverse adjusting tool.
 - Use screwdriver.
 - Stop adjustments when door operates reliably.
- DO NOT OVERTIGHTEN.**

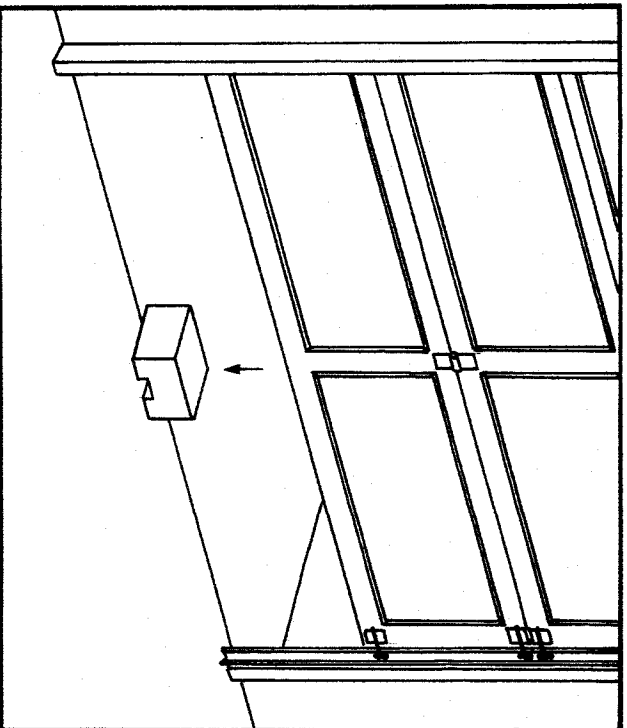
4 TEST SAFETY REVERSE.

- Open door.
- Use wall control.
- Place foam packing block or cardboard box in center of doorway.
- Close door.

DOOR MUST STOP AND REVERSE TO OPEN POSITION.

DOOR MUST NOT CRUSH FOAM OR CARDBOARD BOX.

DO THIS TEST MONTHLY.

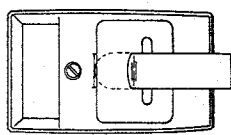
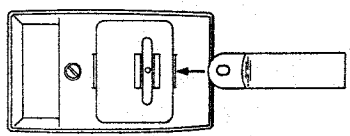


SECTION X — USING YOUR REMOTE CONTROL

MODEL AT90

ATTACH VISOR CLIP TO REMOTE CONTROL.

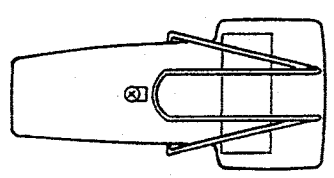
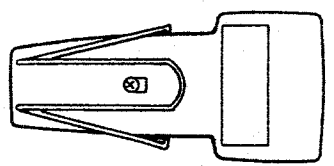
- Slide long leg of clip into slot. Clip will lock in place.
- For maximum range, point remote control at door.



MODEL AT95

ATTACH VISOR CLIP TO REMOTE CONTROL.

- Spread wire ends apart
- Insert wire ends in holes in sides of remote control.
- Clip can be inserted up or down.
- For maximum range, point remote control at door.



LOST OR STOLEN REMOTE CONTROLS

ORDER A REPLACEMENT WHERE YOU BOUGHT YOUR OPERATOR.

Check operator cover for model number.

- Order Model AT90 if your operator is Model SD8000 or SD9000.
- Order Model AT95 if your operator is Model SD9500.

FOR MAXIMUM SECURITY, CHANGE YOUR PERSONAL CODE SETTING. See Section VI.

ADDITIONAL REMOTE CONTROLS

ORDER EXTRA REMOTE CONTROLS WHERE YOU BOUGHT YOUR OPERATOR.

Check back of remote control for model number.

BE SURE TO SET YOUR PERSONAL CODE. See Section VI.

BATTERY REPLACEMENT

(Your remote control is battery powered)

- Remove screw from back of remote control.
- Open to expose battery.
- Install new battery in same position.
- Use name brand 9 volt transistor battery.

SECTION XI — MAINTENANCE AND TROUBLESHOOTING

WARNING

GARAGE DOOR SPRINGS ARE POWERFUL.

They balance the weight of the door. Sudden release of spring tension can result in deadly force.

GARAGE DOORS ARE HEAVY.

- Stay out from under raised doors.
- Do not allow children to play under raised doors.
- Do not stand under moving doors.
- Do not run under moving doors.
- Do not try to operate a door with a broken spring.
- Do not try to operate a door with worn or damaged hardware.

**NEVER TRY TO WORK ON SPRINGS.
CALL A PROFESSIONAL FOR SERVICE.**

**KEEP YOUR DOOR IN GOOD REPAIR.
CALL A PROFESSIONAL FOR SERVICE.**

USE THIS GUIDE TO CORRECT PROBLEMS WITH YOUR DOOR OPERATOR. IF ONE OF THESE SOLUTIONS DOESN'T WORK:

CALL 1-800-OK-GENIE
(1-800-654-3643)

PROBLEM	SOLUTIONS
----------------	------------------

Operator does not run from wall control.

Check the power source.
• Plug a lamp into outlet used for operator. If lamp works, power source is OK. If not, check fuse or circuit breaker.

- If power is OK:
- Check connections at operator terminals.
- Check connections at wall control.
- Motor may be overheated. Wait 20 minutes and try again.

Door starts for no reason.

Check staples on wire from power unit to wall control. If they cut into insulation, they can short wires. If wire is cut, replace it.

Someone nearby may have selected the same personal code. Change your code. (See Section VI.)

Door starts down, then stops before it's closed.

Check DOWN limit switch setting. (See Section IV.)

Check safety reverse adjustment. (See Section IX.)

If door has infra-red safety reverse, check for light beam obstruction.

Operator works from wall control, but not from remote control.

Check code settings on remote control and power unit. They must be identical. (See Section VI.)

If one remote control works and another doesn't, check battery, code setting and frequency of non-working unit.

PROBLEM	SOLUTIONS
----------------	------------------

Remote control has less than 25 feet operating range.

- Relocate remote control inside car.
- Point remote control at door.
- Replace battery.
- Do not attempt to retune radio controls.

Door starts up, but stops before it's completely open.

Be sure door is in good repair, properly lubricated and balanced.

Check UP limit switch setting. (See Section IV.)

Check safety reverse adjustment. (See Section IX.)

Operator runs, but door does not move.

Make sure carriage is engaged.

Check safety reverse adjustment. (See Section IX.)

Door will only run open.

Be sure ISR plug is in place under label on front of power unit. (See NOTE page 10)

Noisy operation.

Be sure all fasteners are tight.

Be sure door is in good repair, properly lubricated and balanced.

- Lubricate drive screw. Use Only:
 - Mobil SHC 32
 - Lubriplate Low Temp
 - Lubriplate Aero

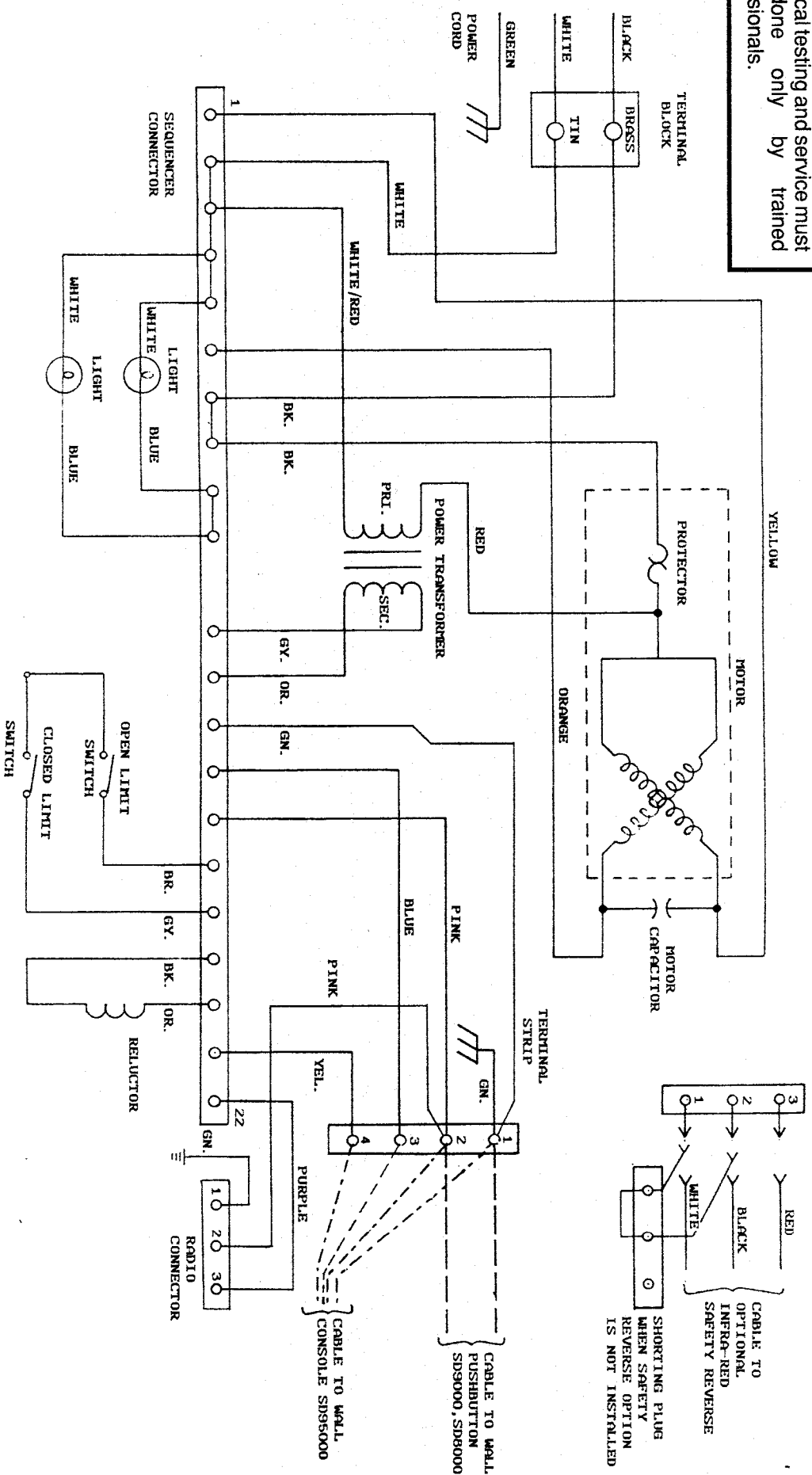
Other lubricants may damage your operator.

TEST SAFETY REVERSE MONTHLY - SEE SECTION IX

WIRING DIAGRAM

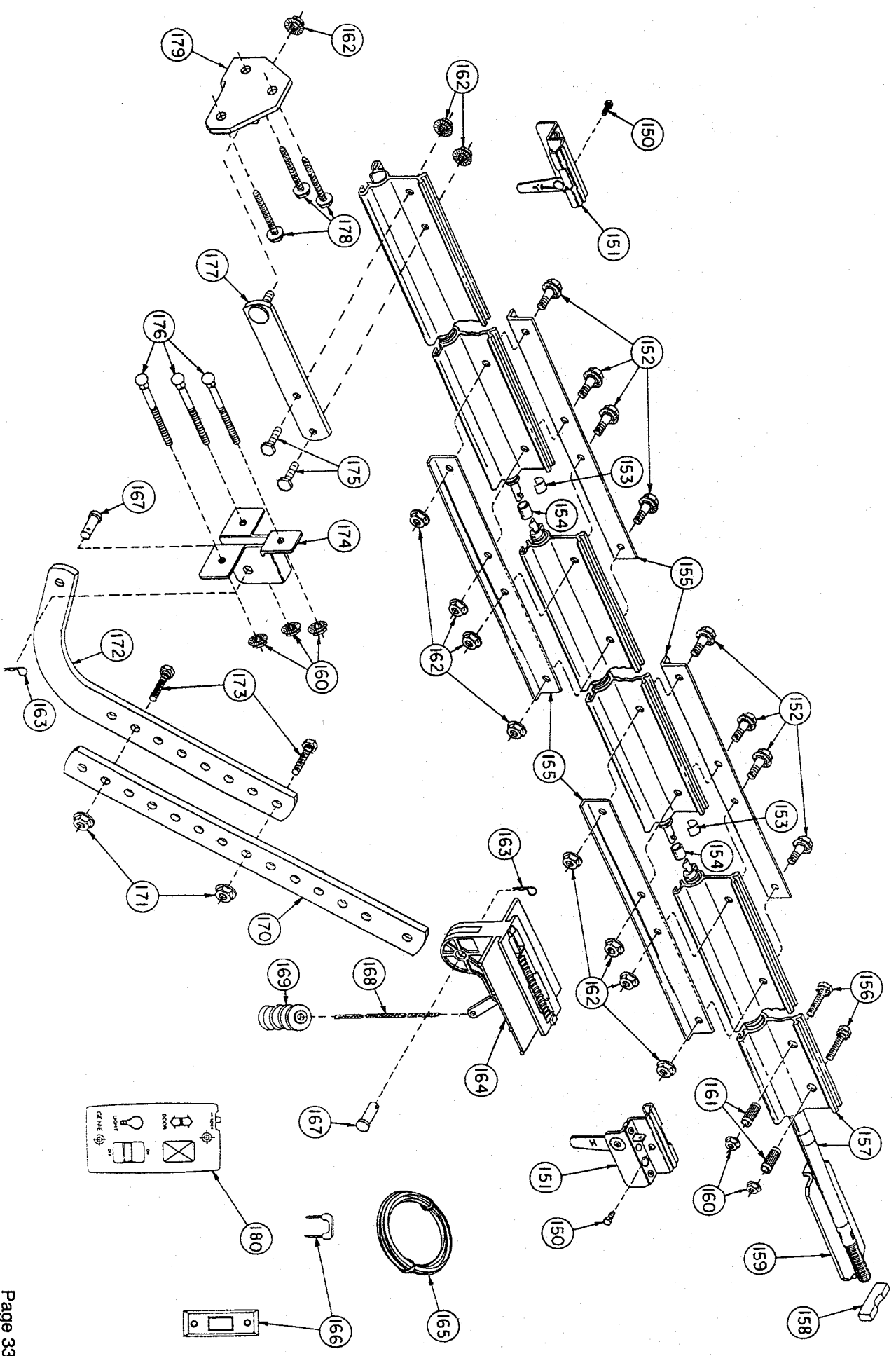
WARNING

HIGH VOLTAGE POWER APPLIED TO MOTOR.
 Improper wiring can result in severe electrical shock or death.
 Disconnect power before removing cover from operator.
 Electrical testing and service must be done only by trained professionals.



RAIL/HARDWARE COMPONENTS

(Models SD8000, SD9000, SD9500)
(See Page 35 For Parts Identification)



MOTOR ASSEMBLY PARTS LIST

SD9500, SD9000, SD8000

ITEM	PART NO.	PART NAME
100	24395S	COVER (SD9500)
	24395T	COVER (SD9000)
	24395U	COVER (SD8000)
101	8132A	HEX LOCK NUT
102	8184C	WASHER
103	24472A	CLUTCH SPRING
104	6199A	WOODRUFF KEY
105	24726A	WEDGE RING
106	24471A	RELUCTOR HUB
107	25686A	CLUTCH FACING
108	24311A	RETAINING RING
109	24611A	SPACER
110	18394A	THRUST BEARING WASHER
111	24687A	NYLON THRUST BEARING
112	18732A	LINER
113	24235D	CLUTCH BASE
114	8059H	WASHERHEAD SCREW (SD9500, SD9000)
	8059G	WASHERHEAD SCREW (SD8000)
115	24373R	END BELL
116	8792H	SPACER (SD9500, SD9000 ONLY)
117	24463R	FIELD ASSEMBLY (SD9500, SD9000)
	24467R	FIELD ASSEMBLY (SD8000)
118	24348R	TERMINAL BLOCK
119	8706E	SCREW
120	24412R	TRANSFORMER
121	25638A	TERMINAL STRIP
122	25609A	CIRCUIT BOARD BRACKET
123	8657C	SCREW
124	24350S	SEQUENCER ASSEMBLY
125	24692A	ISR PLUG
126	25579R	PANEL AND CASTING ASSEMBLY
127	24354A	LIGHT SOCKET
128	24940A	HEX HEAD SCREW
129	25650R	LENS
130	25585A	STRAIN RELIEF
131	25598A	PAN HEAD SCREW
132	21062S	RELUCTOR
133	24567R	POWER CORD
134	19661A	THRUST BEARING WASHER
135	19660B	THRUST BALL BEARING
136	25648R	RECEIVER ASSEMBLY
137	25731A	CAPACITOR BRACKET
138	24940A	HEX HEAD SCREW
139	25575R	ROTOR (SD9500, SD9000)
	25576R	ROTOR (SD8000)
140	19988A	CAPACITOR (SD9500, SD9000)
	18004B	CAPACITOR (SD8000)
141	24686B	THRUST BALL BEARING

RAIL/HARDWARE SECTION PARTS LIST

SD9500, SD9000, SD8000

ITEM	PART NO.	PART NAME
150	8706H	SCREW
151	24454R	LIMIT SWITCH ASSEMBLY
152	22438A	SHOULDER BOLT
153	19807A	SPRING CLIP
154	19806A	COLLAR
155	25651A	RAIL CLAMP
156	8025D	HEX HEAD SCREW
157	25556U	RAIL AND SCREW ASSEMBLY (SD9500, SD9000)
	25556T	RAIL AND SCREW ASSEMBLY (SD8000)
158	18424A	BUMPER
159	25533A	CARRIAGE STOP
160	24121B	HEX FLANGE NUT
161	18857A	BUSHING
162	24121C	HEX FLANGE NUT
163	24048A	HAIRPIN COTTER
164	25598R	CARRIAGE
165	24417A	FOUR-CONDUCTOR WIRE (SD9500)
	8665A	TWO-CONDUCTOR WIRE (SD9000, SD8000)
166	19614R	WALL CONTROL AND STAPLES (SD9000, SD8000)
167	5987F	CLEVIS PIN
168	21123A	RELEASE CORD
169	21122A	RELEASE KNOB
170	19873B	STRAIGHT DOOR ARM
171	24121D	HEX FLANGE NUT
172	19784B	CURVED DOOR ARM
173	5973Q	HEX HEAD SCREW
174	19792B	DOOR BRACKET
175	5973K	HEX HEAD SCREW
176	3359Q	CARRIAGE BOLT
177	22766R	RAIL STRAP
178	8091A	LAG SCREW, 5/16 x 2
179	22668A	HEADER BRACKET
180	24310R	WALL CONTROL (SD9500 ONLY)
181	8091B	LAG SCREW 1/4 X 2

LIMITED WARRANTY

The Genie Company warrants the motor for a period of 5 years for the SD9500, 3 years for the SD9000, 2 years for the SD8000. All other parts are warranted for 1 year from the date of purchase.

Who Gets The Warranty? This warranty is limited to the consumer who originally purchases the product.

What Is Covered? This limited warranty covers all defects in workmanship and material.

What Is Not Covered? This limited warranty does not cover batteries, installation, or damage resulting from accident, misuse or abuse, lack of proper maintenance, affixing of any attachments, not provided with the product or loss of parts. IN NO EVENT SHALL THE MANUFACTURER BE LIABLE FOR ANY SPECIAL, INCIDENTAL OR CONSEQUENTIAL DAMAGES RESULTING FROM MISUSE OR MODIFICATION OF THIS PRODUCT.

How To Obtain Service

1) Call the Genie Consumer Connection — toll free 1-800-OK-GENIE (1-800-654-3643). Trained Genie representatives will assist you in diagnosing the problem and supplying you with the required parts for do-it-yourself repairs.

2) You may also obtain in-warranty service by returning this product, postage prepaid, to: Service Dept., The Genie Company, 22790 Lake Park Boulevard, Alliance, Ohio 44601. In-warranty products returned to the Service Department will be repaired with no charge for either parts or labor and will be returned to you, postage prepaid. Please include a brief statement indicating date and place of purchase and the nature of the problem.

3) You may also obtain in-warranty service from Genie authorized dealers listed in the enclosed directory or under the door section of your yellow pages. Genie will provide in-warranty parts at no charge; however, these dealers are independent businessmen and may render a bench or service call charge for their services. Genie will not be responsible for these charges.

Legal Remedies—This warranty gives you special legal rights and you may also have other rights which vary from state to state. Some states do not allow the exclusion or limitation of incidental or consequential damages or limitations on how long any implied warranty may last, so the above exclusions and limitations may not apply to you.

FILL IN AT TIME OF INSTALLATION.
RETAIN FOR YOUR RECORDS.
**GENIE GARAGE DOOR OPERATOR
WARRANTY INFORMATION**

Date Purchased 2-11-91
Operator Serial No. _____
Operator Model SD9500
Dealer's Name BUILDER Emporium
Address _____
City _____
State _____
ZIP Code _____
Phone _____

CORRESPONDENCE WITH FACTORY MUST INCLUDE SERIAL NUMBERS.

THE GENIE COMPANY
SERVICE DEPT.
ALLIANCE, OHIO 44601

KEEP THIS FOR YOUR RECORDS.

*Pro Box 2481
Alliance, Ohio 44601*



The Genie Company • Alliance, Ohio • 44601



PRO-TECH™ EXTENDED WARRANTY PROGRAM

The Genie Company will double the Standard Limited Warranty to cover all defects in workmanship and material on the motor from date of purchase.

PRODUCTS COVERED:

- Genie® Garage Door Operator Series:
 - SD8000 Extended to 4 Years
 - SD9000 Extended to 6 Years
 - SD9500 Extended to 10 Years

COST:

No additional Cost

HOW TO ENROLL:

Completely fill out and return the warranty registration sheet enclosed in this manual.

TERMS AND CONDITIONS:

All other terms and conditions of the Standard Limited Warranty apply.
Failure to return a completed registration sheet will void this offer.